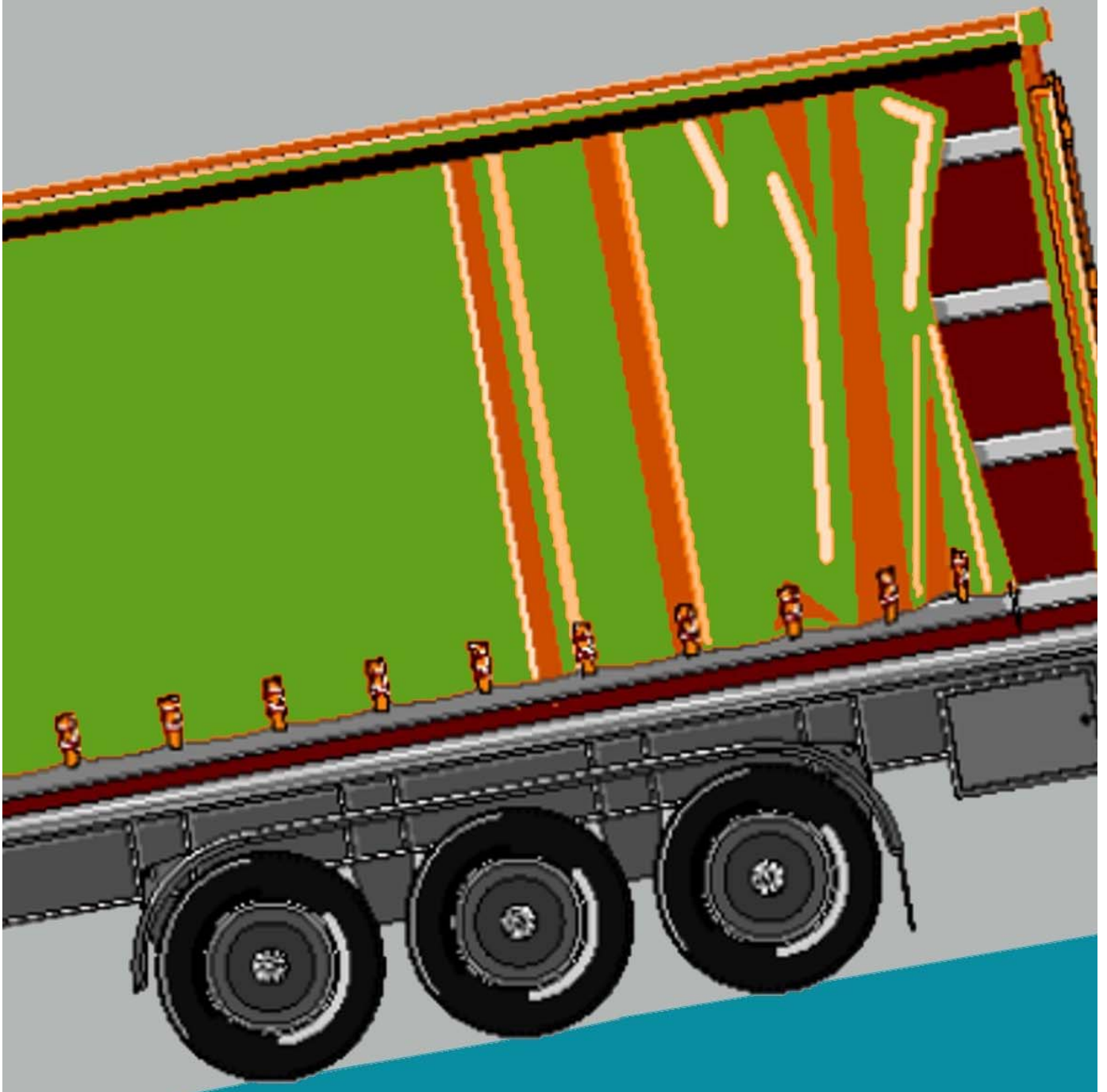


CURTAINSIDER components





Closed clamping mechanism with square neck



"Jumbo" clamping mechanism



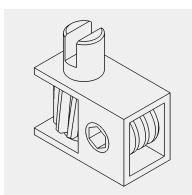
with push/draw tube



Semi-open clamping mechanism with square neck



Handwheel for clamping mechanisms



CURTAINSIDER CLAMPING MECHANISMS COMPACT 78 X 40

- With slot drive
- Semi-open
- Self-locking
- For use on the left or right side

Material: steel

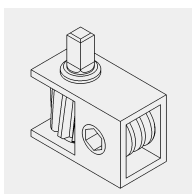
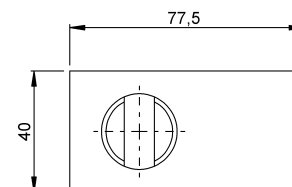
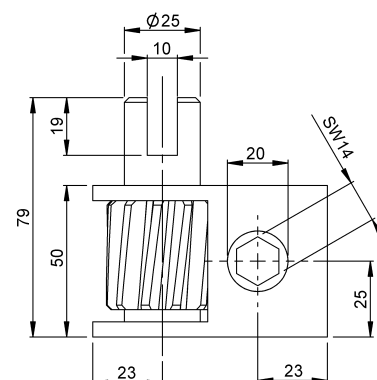
Surface: galvanised

Weight: From 0.8 kg/unit

Article No. 606 535

Accessories

- Crank handle, Article No. 606 551
- Lower push/draw tube adapter, Article No. 606 562/577
- Push/draw tube with pressed-on adapter, Article Nos. 606 558 289 and 606 558 339



CURTAINSIDER clamping mechanisms Compact 78 x 40

- With square drive, 12 mm
- Semi-open
- Self-locking
- For use on the left or right side

Material: steel

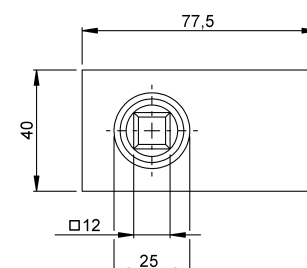
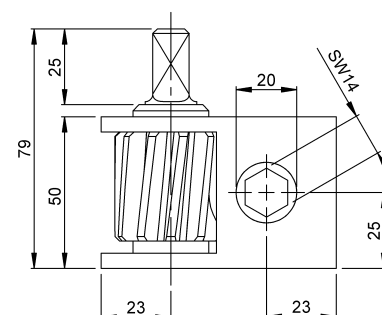
Surface: galvanised

Weight: from 0.8 kg/unit

Article No. 606 534

Accessories

- Crank handle, Article No. 606 551
- Lower push/draw tube adapter, Article No. 606 563
- Push/draw tube with pressed-on adapter Article Nos. 606 557 290 and 606 557 340

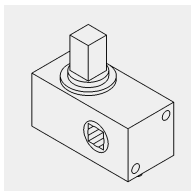


24.15.11.2

CURTAINSIDER kit modules

Side wall components / tarpaulin components

■ Clamping mechanism



CURTAINSIDER clamping mechanisms

„mini-30”

- With square drive, 12 mm
- Closed housing
- Self-locking
- For use on the left or right side

Material: steel

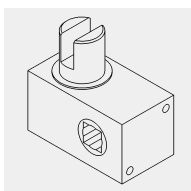
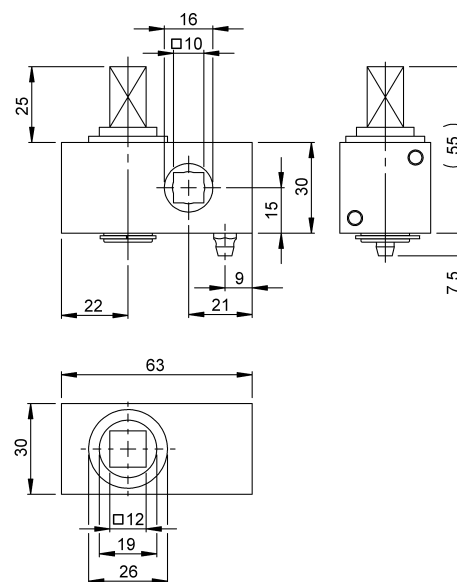
Surface: primed

Weight: from 0.55 kg/unit

Article No. 606 532 001

Accessories

- Crank handle, Article No. 606 555
- Lower push/draw tube adapter, Article No. 606 563
- Push/draw tube with pressed-on adapter, Article Nos. 606 557 290 and 606 557 340



CURTAINSIDER clamping mechanisms

Compact 73 x 40

- With slot drive
- Closed housing
- Self-locking
- For use on the left or right side

Material: steel

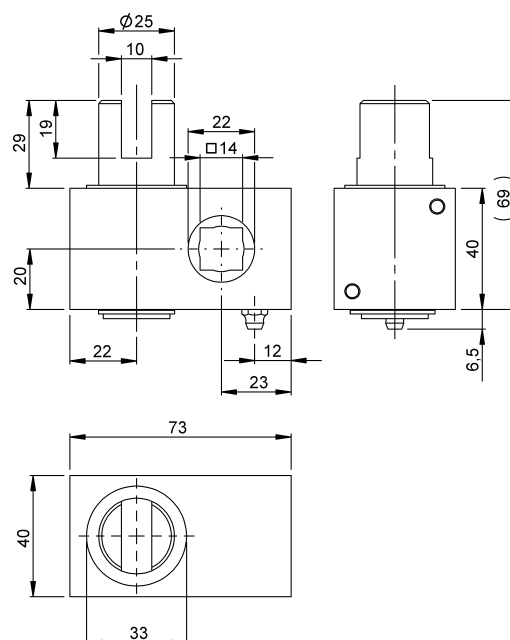
Surface: primed

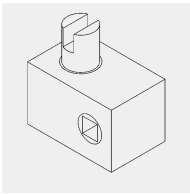
Weight: 0.8 kg/unit

Article No. 606 536 001

Accessories

- Crank handle, Article No. 606 555
- Lower push/draw tube adapter, Article No. 606 562/577
- Push/draw tube with pressed-on adapter, Article Nos. 606 558 289 and 606 558 339



**CURTAINSIDER clamping mechanisms****Compact 78 x 50**

- With slot drive
- Closed housing
- Self-locking
- For use on the left or right side

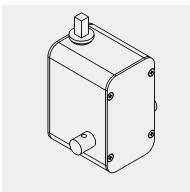
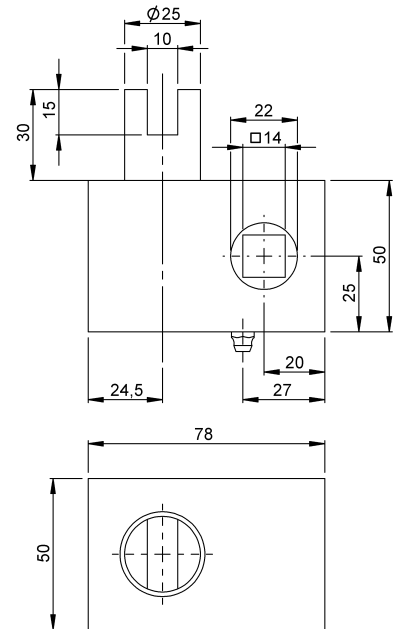
Material: steel

Surface: primed

Weight: approx 1.11 kg/unit

Article No. 606 544**Accessories**

- Crank handle, Article No. 606 555
- Lower push/draw tube adapter, Article No. 606 562/577
- Push/draw tube with pressed-on adapter, Article Nos. 606 558 289 and 606 558 339

**CURTAINSIDER cardan clamping mechanisms****„Jumbo“**

- With 12 mm square drive
- Closed housing
- Self-locking
- Symmetrical design
- For use on the left or right side
- With handwheel operation

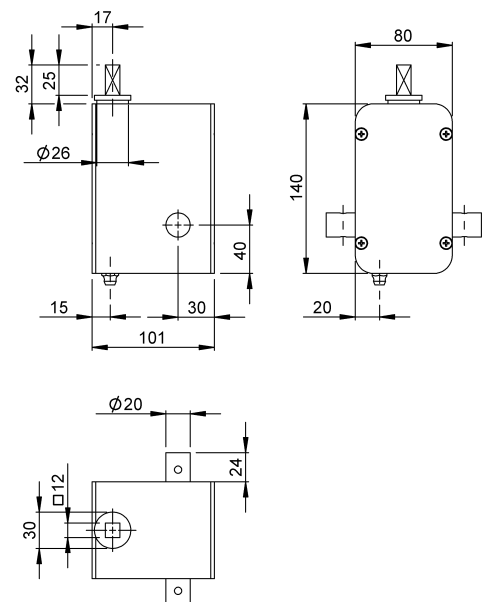
Material: steel

Surface: galvanised

Weight: approx 4.1 kg/unit

Article No. 606 545**Accessories**

- Handwheel, Article No. 606 553
- Lower push/draw tube adapter, Article No. 606 563
- Push/draw tube with pressed-on adapter, Article Nos. 606 557 290 and 606 557 340

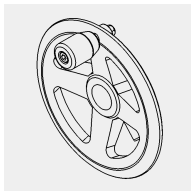


24.15.11.4

CURTAINSIDER kit modules

Side wall components / tarpaulin components

■ Clamping mechanism



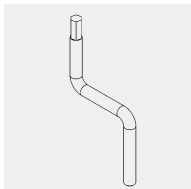
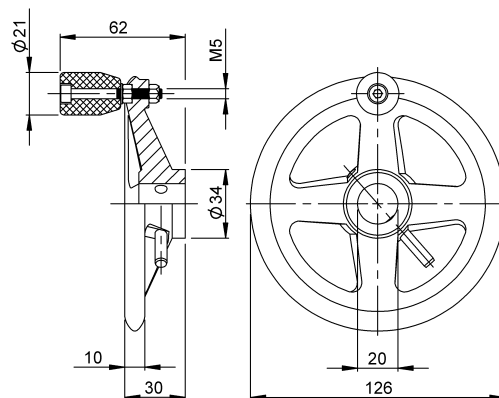
CURTAINSIDER handwheel with dowel pin

- Fits clamping mechanism, Article No. 606 545

Material: aluminium

Weight: approx 0.24 kg/unit

Article No. 606 553



CURTAINSIDER crank handle

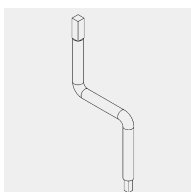
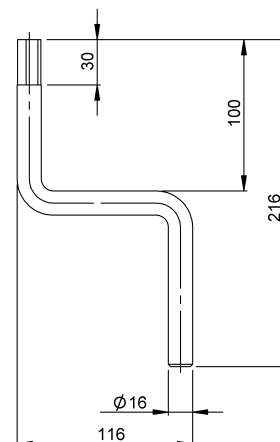
- With 14 mm square neck
- Fits clamping mechanisms, Article Nos. 606 534 and 606 535

Material: steel

Surface: galvanised

Weight: approx 0.45 kg/unit

Article No. 606 551



CURTAINSIDER crank handle

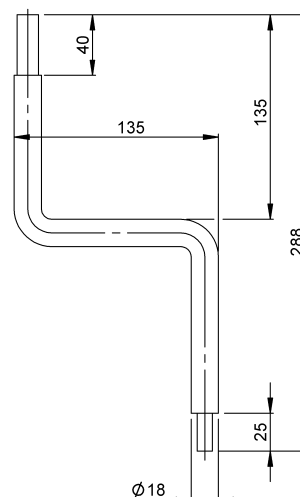
- with two square necks
- Key width 10 mm and 14 mm
- Fits clamping mechanisms, Article Nos. 606 532 001/606 536 001/606 544

Material: steel

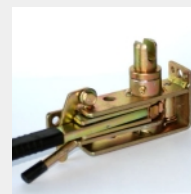
Surface: galvanised

Weight: approx 0.3 kg/unit

Article No. 606 555



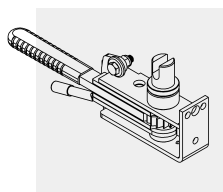
We assume no liability for the accuracy of the technical data, which are intended as a guide! We reserve the right to make design changes.



Clamping ratchet with square neck



Clamping ratchet with slot drive



CURTAINSIDER clamping ratchet 40 mm deep

- With slot drive

Material: steel

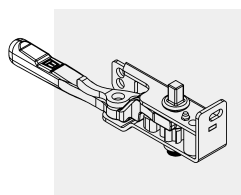
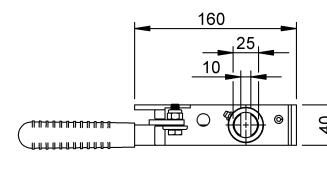
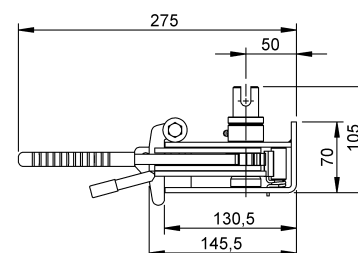
Surface: galvanised

Weight: approx 2.2 kg/unit

Article No. 606 516 001 in the case of front right / rear left
606 517 001 in the case of front left / rear right

Accessories

- Lower push/draw tube adapter, Article No. 606 562
- Push/draw tube with pressed-on adapter, Article No. 606 558 289 and 606 558 339



CURTAINSIDER clamping ratchet 40 mm deep

- With 12 mm square drive

Material: cast steel

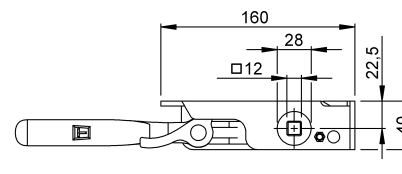
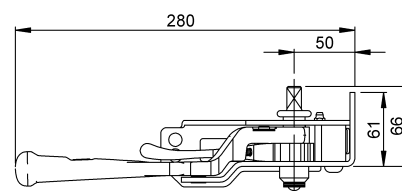
Surface: Dacromet coating

Weight: approx 1.55 kg/unit

Article No. 606 502 in the case of front right / rear left
606 503 in the case of front left / rear right

Accessories

- Lower push/draw tube adapter, Article No. 606 563
- Push/draw tube with pressed-on adapter, Article Nos. 606 557 290 and 606 557 340

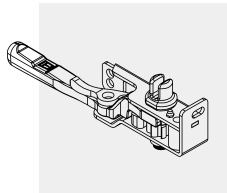


24.15.12.2

CURTAINSIDER-kit modules

Side wall components / tarpaulin components

■ Ratchets



CURTAINSIDER clamping ratchet

40 mm deep

- With slot drive

Material: cast steel

Surface: Dacromet coating

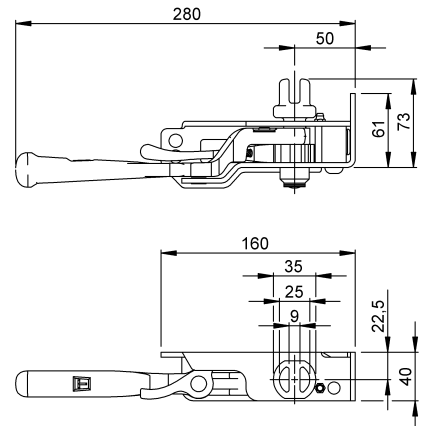
Weight: approx 1.55 kg/unit

Article No. 606 504 in the case of front right / rear left

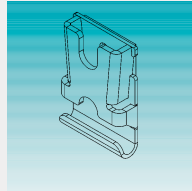
606 505 in the case of front left / rear right

Accessories

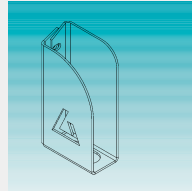
- Lower push/draw tube adapter, Article No. 606 562/577
- Push/draw tube with pressed-on adapter, Article Nos. 606 558 289 and 606 558 339



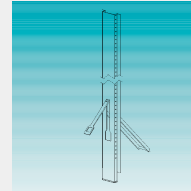
We assume no liability for the accuracy of the technical data, which are intended as a guide! We reserve the right to make design changes.



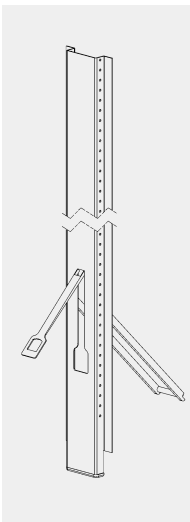
Chassis pockets,
KTL-coated



Batten pocket,
KTL-coated



Slide stanchions,
KTL-coated



CURTAINSIDER slide stanchion Adaico – 3000 mm

- With solid wedge made of full steel
- Without chassis pocket

Material: Steel, cap profile made of QStE 380

Surface: KTL-coated

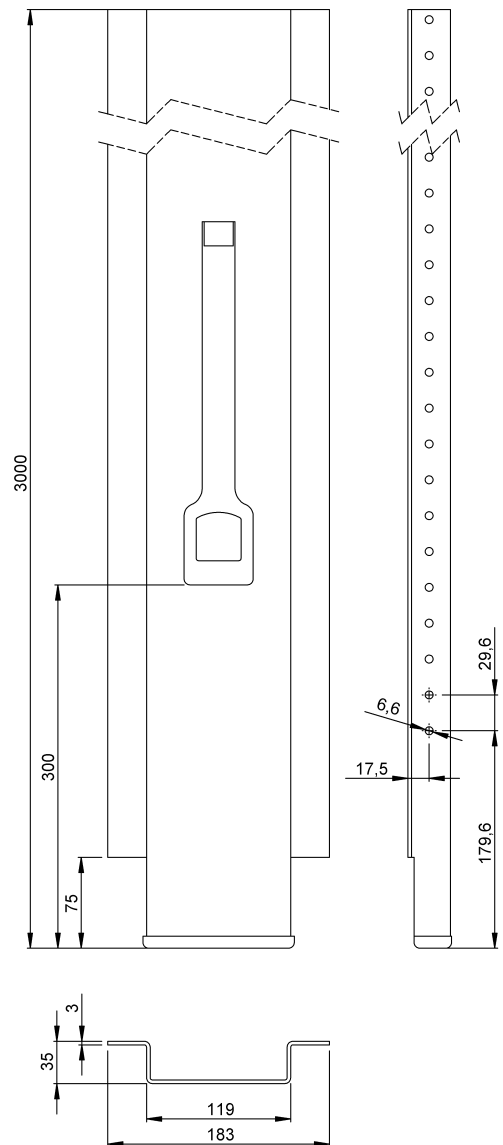
Colour: black

Weight: approx 22.5 kg/unit

Article No. 606 350 001

Accessories

- CURTAINSIDER chassis pocket, Article No. 606 359 001
- Batten pocket, Article Nos. 606 356 001 and 606 356 002
- Batten store, Article Nos. 606 358 001 and 606 358 002

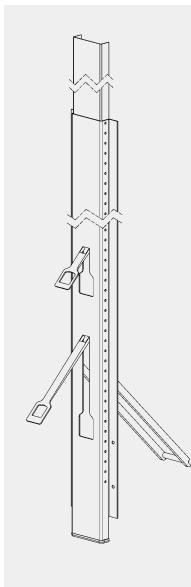


24.15.21.2

CURTAINSIDER kit modules

Side wall components / slide stanchions

■ Adaico



CURTAINSIDER lifting roof slide stanchion

Adaico – 3000 mm

- With lift section and manual lever locking
- Without chassis pocket

Material: steel, cap profile made of QStE 380

Surface: KTL-coated

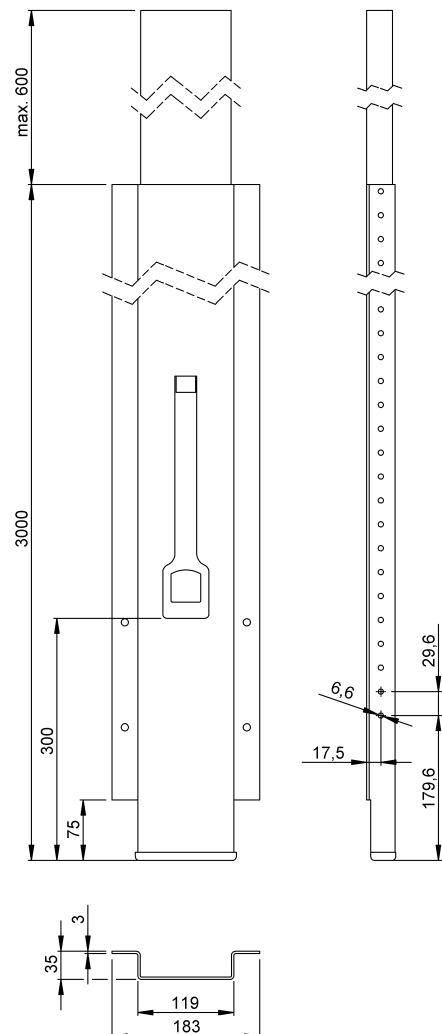
Colour: black

Weight: approx 24.5 kg/unit

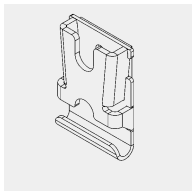
Article No. 606 351

Accessories

- CURTAINSIDER chassis pocket, Article No. 606 359 001
- Batten pocket, Article Nos. 606 356 001/002
- Batten store, Article No. 606 358 001/002



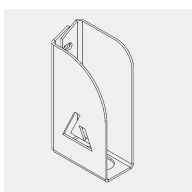
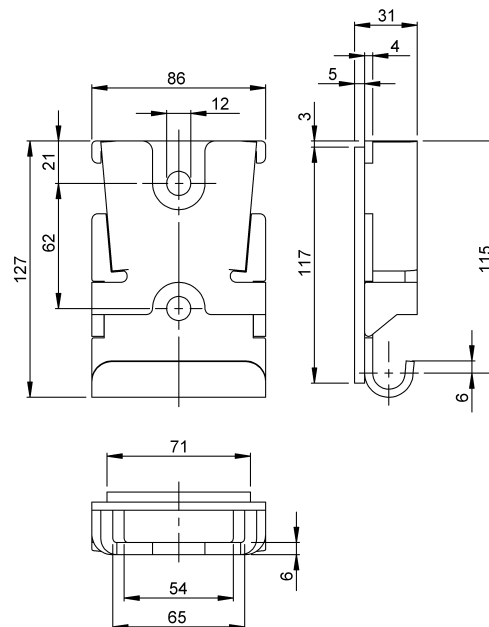
We assume no liability for the accuracy of the technical data, which are intended as a guide! We reserve the right to make design changes.

**Chassis pocket**

- For Adaico slide stanchion,
Article Nos. 606 350 001 and 606 351

Material: steel
Surface: KTL-coated
Colour: black
Weight: approx 0.65 kg/unit

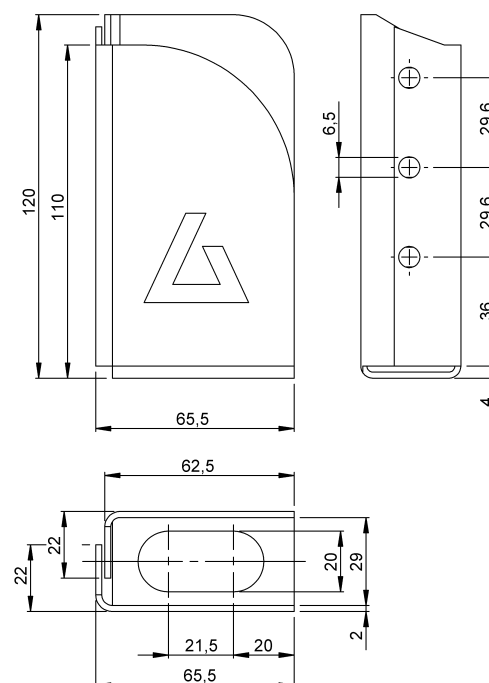
Article No. 606 359 001

**Batten pocket**

- for Adaico slide stanchion,
Article Nos. 606 350 001 and 606 351

Material: steel
Surface: KTL-coated
Colour: black
Weight: approx 0.2 kg/unit

Article No. 606 356 001 – left
606 356 002 – right

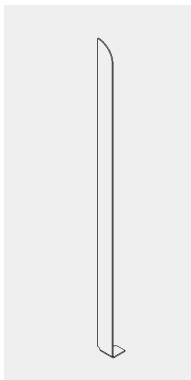


24.15.21.4

CURTAINSIDER kit modules

Side wall components / slide stanchions

■ Adaico



Batten store

- for Adaico slide stanchion,
Article Nos. 606 350 001 and 606 351

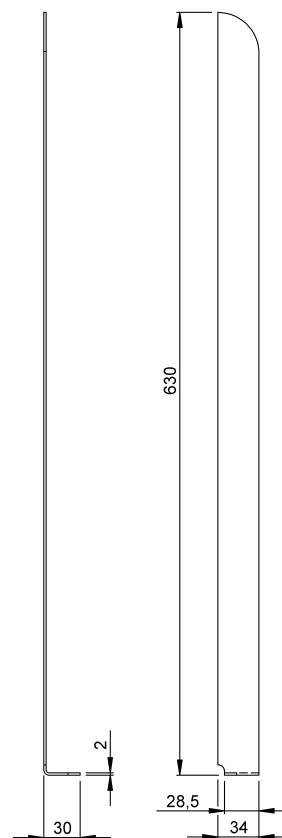
Material: steel

Surface: primed

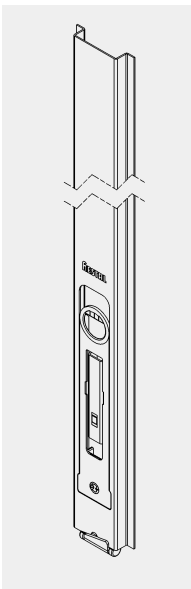
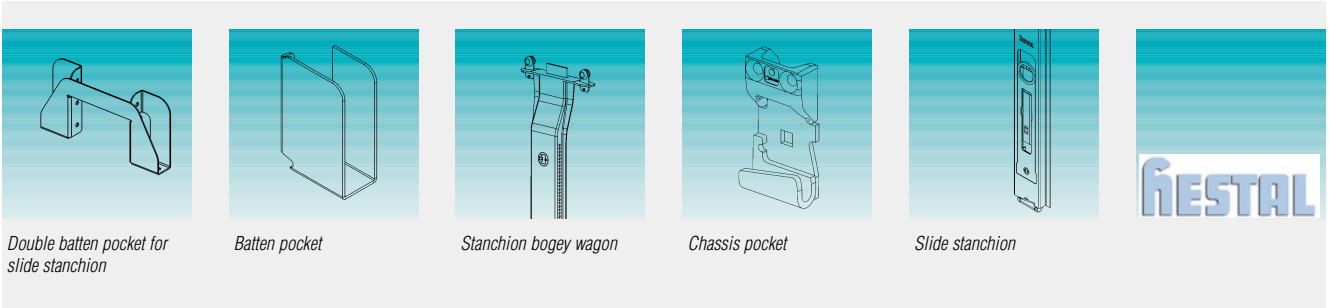
Weight: approx 0.4 kg/unit

Article No. 606 358 001 – left

606 358 002 – right



We assume no liability for the accuracy of the technical data, which are intended as a guide! We reserve the right to make design changes.



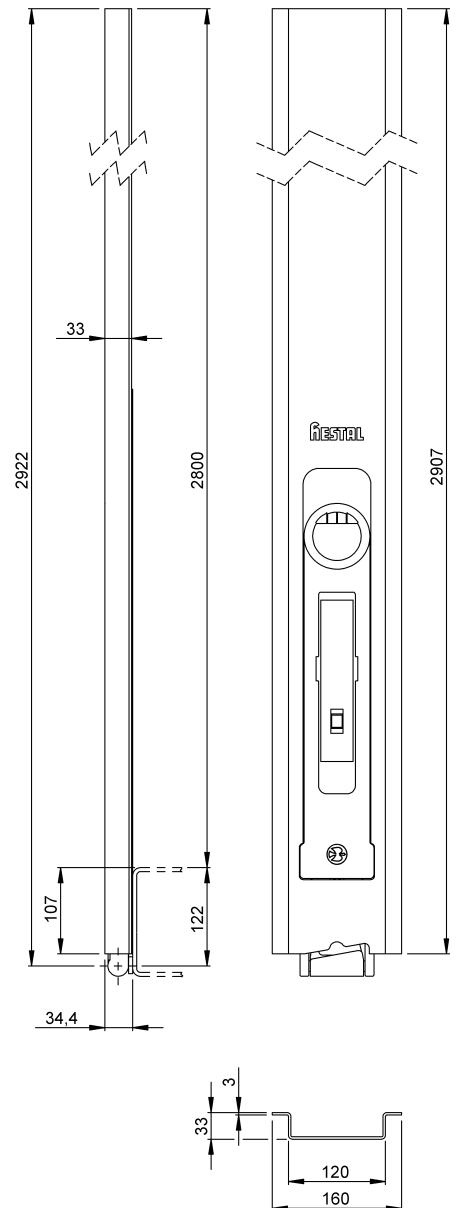
CURTAINSIDER slide stanchion
Hestal 700.2 – 2800 mm

- With wedge locking
 - Includes pivot bearing
- Material: steel
 Surface: KTL-coated
 Colour: black
 Weight: approx 21.6 kg/unit

Article No. 606,362

Accessories

- Pivot bearing
 Welded assembly, Article No. 232 898
 Screw assembly, Article No. 606 380
- Telescope device, Article No. 606 366/367
- Batten pocket, Article Nos. 606 375 and 606 376
- Batten store, Article Nos. 606 377 and 606 378

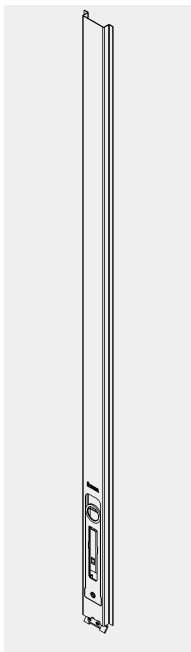


24.15.22.6

CURTAINSIDER kit modules

Side wall components / slide stanchions

■ Hesterberg



CURTAINSIDER slide stanchion

Hestal 700.1 – 2900 mm

- For aluminium multi-function profile
- Freely moveable

Material: steel

Surface: KTL-coated

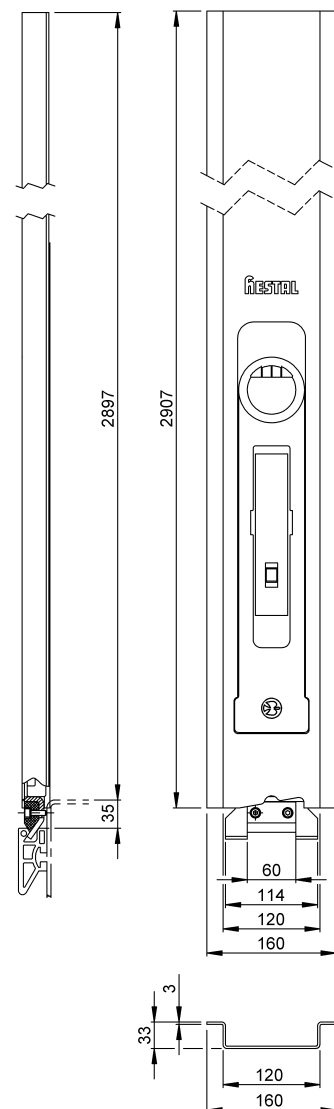
Colour: black

Weight: approx 20.0 kg/unit

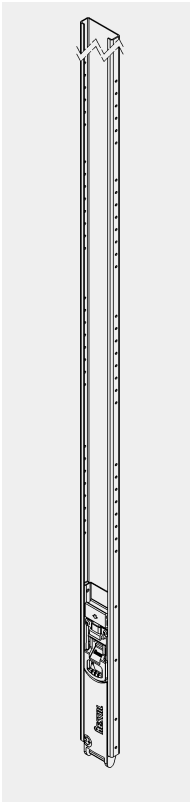
Article No. 606 370

Accessories

- Telescope device, Article No. 606 366/367
- Batten pocket, Article Nos. 606 375/376
- Batten store, Article Nos. 606 377 and 606 378
- Multi-function profile,
Article No. 606 163 680 – 6800 mm
Article No. 606 163 760 – 7600 mm



We assume no liability for the accuracy of the technical data, which are intended as a guide! We reserve the right to make design changes.



CURTAINSIDER slide stanchion
LOADMASTER Hestal 700.7 – 2800 mm

- With wedge locking
- Includes pivot bearing

Material: steel

Surface: KTL-coated

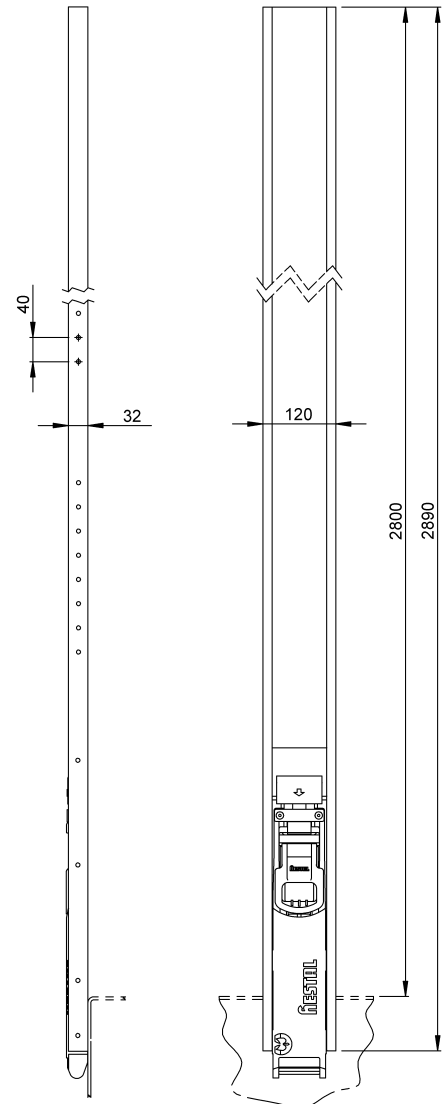
Colour: black

Weight: approx 18.5 kg/unit

Article No. 606 363

Accessories

- CURTAINSIDER pivot bearing
Welded assembly, Article No. 232 898
Screw assembly, Article No. 606 380
- Telescope device, Article No. 606 382
- Stanchion bogey wagon, Article No. 606 374
- Double batten pocket, Article No. 606 373
- Batten store, Article No. 606 372 001/002

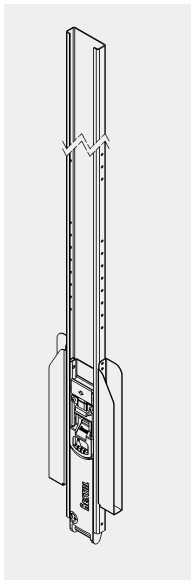


24.15.22.8

CURTAINSIDER kit modules

Side wall components / slide stanchions

■ Hesterberg



CURTAINSIDER slide stanchion

LOADMASTER Hestal 700.7 – 2800 mm

- with fitted 460 mm batten store and wedge locking
- Includes pivot bearing

Material: steel

Surface: KTL-coated

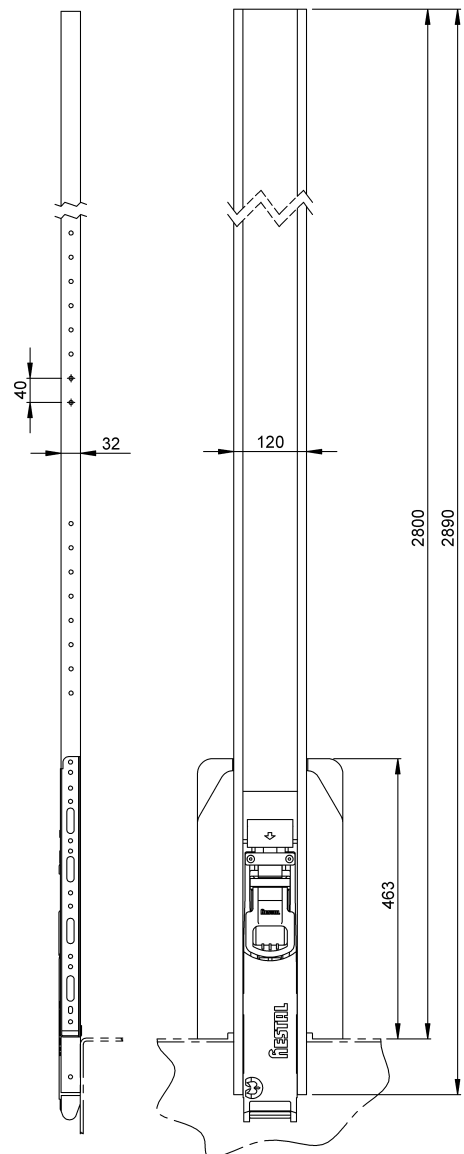
Colour: black

Weight: approx 20.5 kg/unit

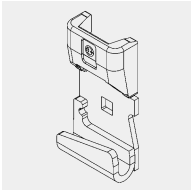
Article No. 606 371

Accessories

- CURTAINSIDER pivot bearing
Welded assembly, Article No. 232 898
Screw assembly, Article No. 606 380
- Telescope device, Article No. 606 382
- Stanchion bogey wagon, Article No. 606 374
- Double batten pocket, Article No. 606 373



We assume no liability for the accuracy of the technical data, which are intended as a guide! We reserve the right to make design changes.

**Pivot bearing**

- for Hestal slide stanchions 700.1/2 and 700.7,
Article Nos. 606 362, 606 363 and 606 371

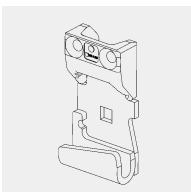
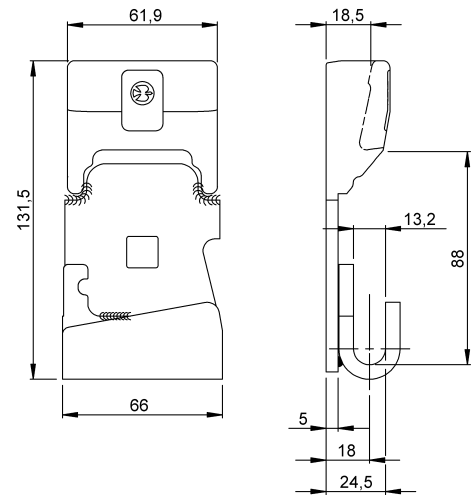
- Welded assembly

Material: steel

Surface: untreated

Weight: approx 0.59 kg/unit

Article No. 232 898

**Pivot bearing**

- for Hestal slide stanchions 700.1/2 and 700.7,
Article Nos. 606 362, 606 363 and 606 371

- Screw assembly

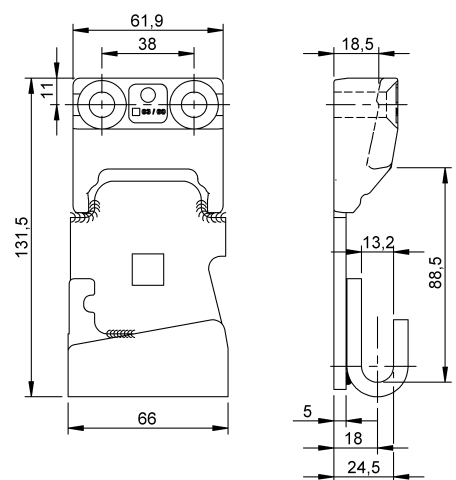
Material: steel

Surface: KTL-coated

Colour: black

Weight: approx 0.59 kg/unit

Article No. 606 380

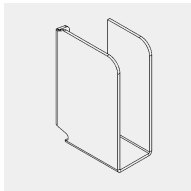


24.15.22.10

CURTAINSIDER kit modules

Side wall components / slide stanchions

■ Hesterberg



Batten pocket

- for Hestal slide stanchions 700.1/2,
Article Nos. 606 362 and 606 370

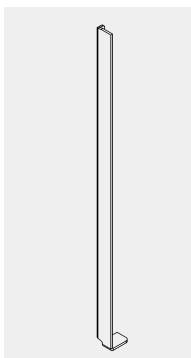
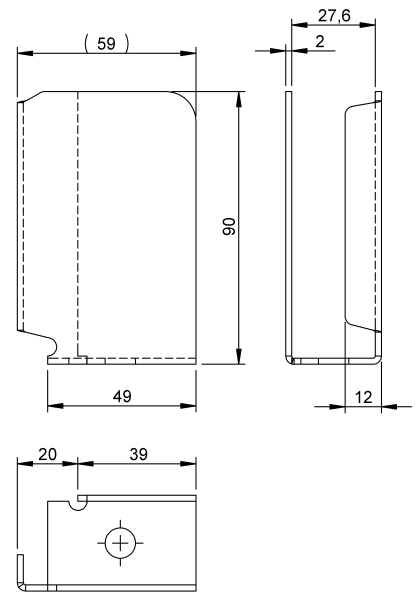
Material: steel

Surface: untreated

Weight: approx 0.25 kg/unit

Article No. 606 376 – left

606 375 – right



Batten store

- for Hestal slide stanchions 700.1/2,
Article Nos. 606 362 and 606 370

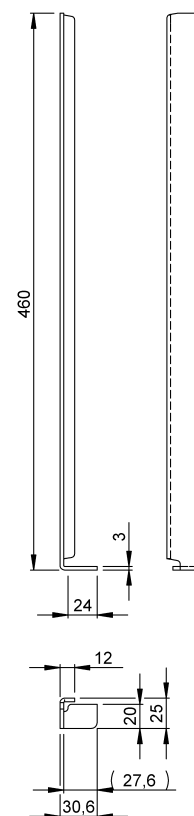
Material: steel

Surface: untreated

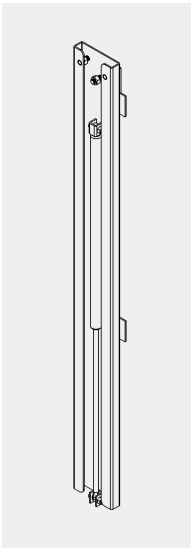
Weight: approx 0.42 kg/unit

Article No. 606 378 – left

606 377 – right



We assume no liability for the accuracy of the technical data, which are intended as a guide! We reserve the right to make design changes.



Telescope device with gas compression spring

- for stanchions 700.1/2,
Article Nos. 606 362 and 606 370

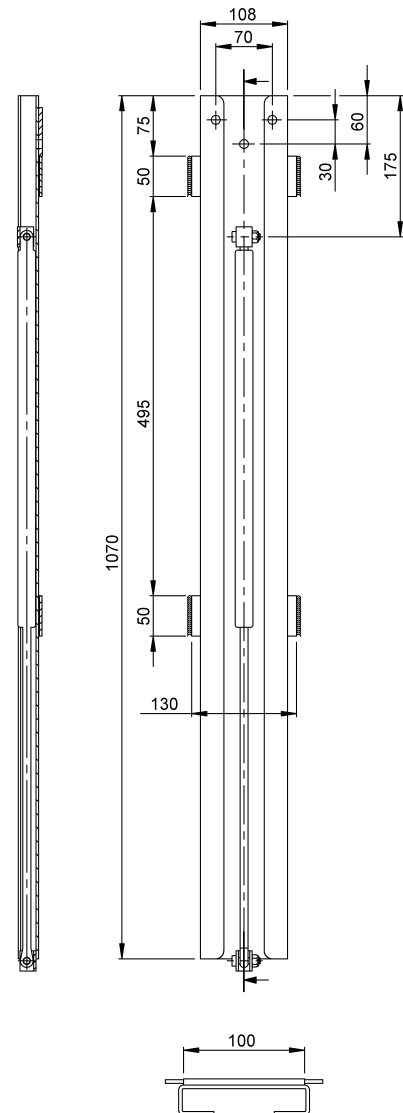
Material: steel

Surface: KTL-coated

Colour: black

Weight: approx 4.0 kg/unit

Article No. 606 366 – 400 mm lift

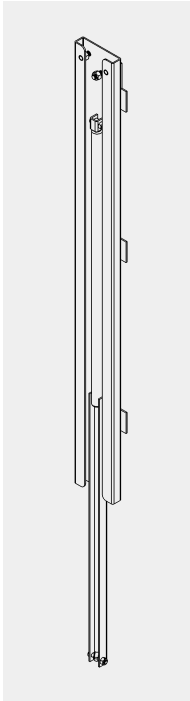


24.15.22.12

CURTAINSIDER kit modules

Side wall components / slide stanchions

■ Hesterberg



Telescope device with gas compression spring

- for stanchions 700.1/2,
Article Nos. 606 362 and 606 370

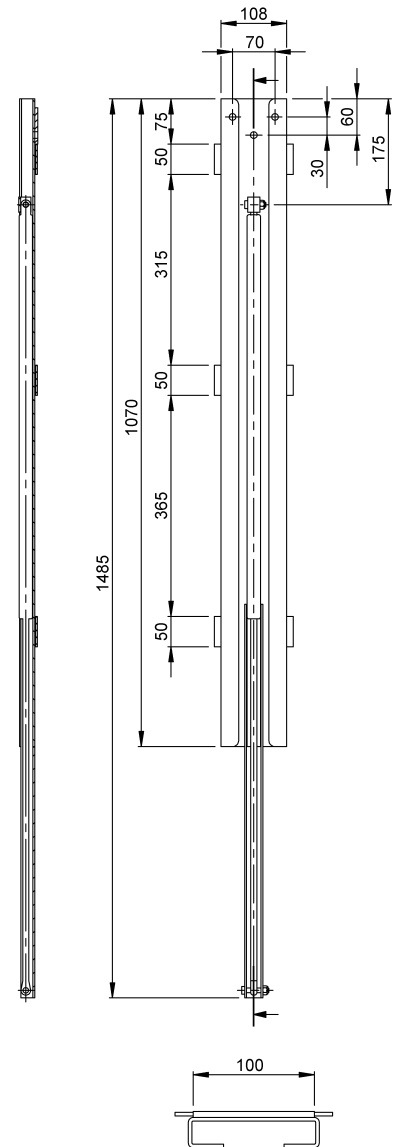
Material: steel

Surface: KTL-coated

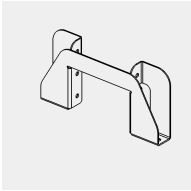
Colour: black

Weight: approx 4.0 kg/unit

Article No. 606 367 – 600 mm lift



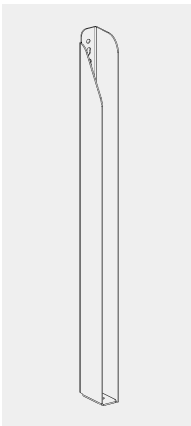
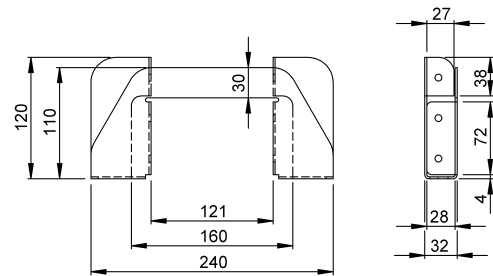
We assume no liability for the accuracy of the technical data, which are intended as a guide! We reserve the right to make design changes.

**Double batten pocket**

- for Hestal slide stanchion 700.7,
Article Nos. 606 363 and 606 371

Material: steel
 Surface: KTL-coated
 Colour: black
 Weight: approx 0.05 kg/unit

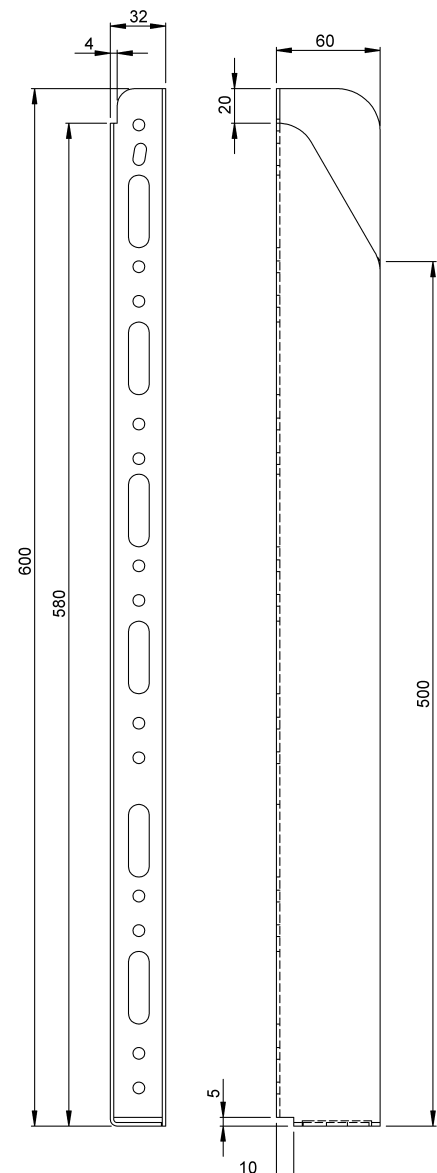
Article No. 606 373

**Batten store 600 mm**

- for Hestal slide stanchion 700.7,
Article No. 606 363

Material: steel
 Surface: KTL-coated
 Colour: black
 Weight: approx 1.1 kg/unit

Article No. 606 372 002 – left
606 372 001 – right

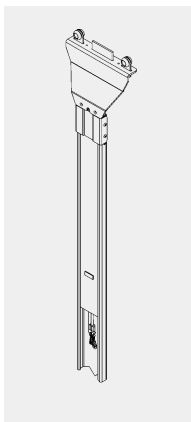


24.15.22.14

CURTAINSIDER kit modules

Side wall components / slide stanchions

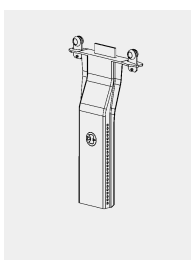
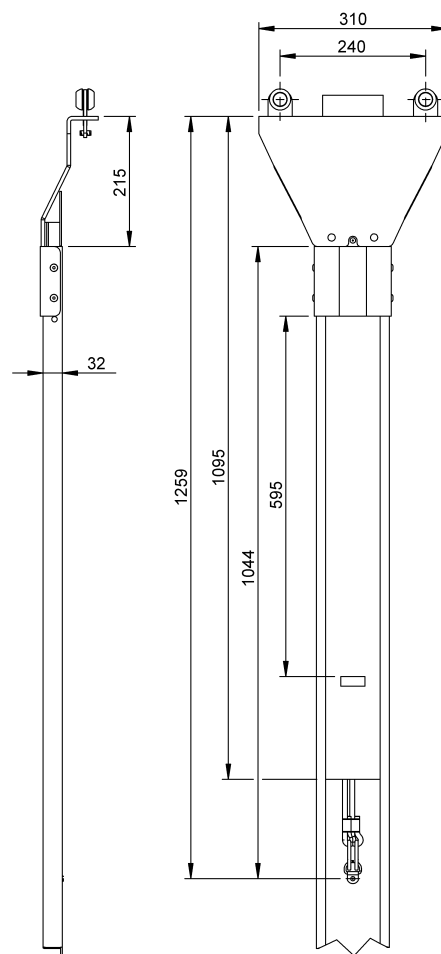
■ Hesterberg



Offset telescope device

- for slide stanchion 700.7,
Article Nos. 606 363 and 606 371
- Maximum lift: 600 mm
- Material: steel
- Surface: KTL-coated
- Colour: black
- Weight: approx 4.5 kg/unit

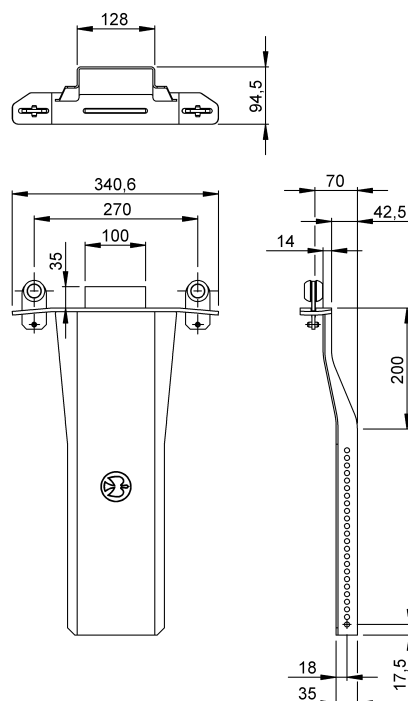
Article No. 606 382



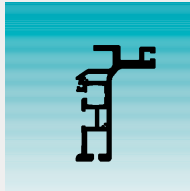
Offset stanchion bogey wagon

- for slide stanchion 700.7,
Article Nos. 606 363 and 606 371
- Material: steel
- Surface: KTL-coated
- Colour: black
- Weight: approx 0.5 kg/unit

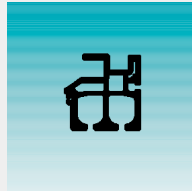
Article No. 606 374



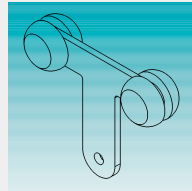
We assume no liability for the accuracy of the technical data, which are intended as a guide! We reserve the right to make design changes.



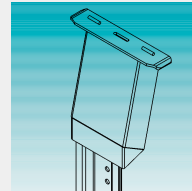
Aluminium roof strap
 Overall height 183 mm



Aluminium roof strap
 Overall height 100 mm



Spherical track roller



Offset running frame



SAFE-TI stanchion - STANDARD

- for MIX and FLATLINERS

Length: 2350-3100 mm
 Supply scope: Stanchion body (247 021 220)
 Running frame (247 031 120)
 Chassis pocket (247 025 000)
 Track roller (247 045 000)

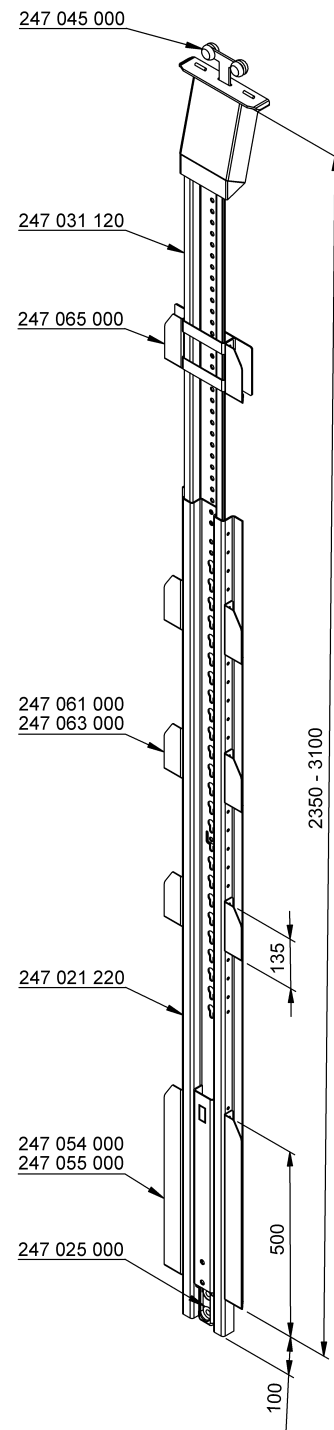
Material: see individual component
 Surface: see individual component
 Weight: approx. 25.1 kg

Article No. 247 001 001

Accessories

- Screw set: 247 027 000
- Batten pocket, left: 247 061 000
- Batten pocket, right: 247 063 000
- Batten store, left: 247 055 000
- Batten store, right: 247 054 000
- Pocket adapter: 247 065 000
- Blind rivet¹: 379 820

¹ Mono-bolt 6,5 x 4,8

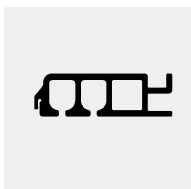


24.15.23.2

CURTAINSIDER kit modules

Side wall components / slide stanchions

■ SAFE-TI



SAFE-TI lifting stanchion - STANDARD

- for MIX and FLATLINERS

Length: 2350-3000 mm

Supply scope: Stanchion body (247 021 220)

Running frame (247 031 170)

Extra lifting roof pack (247 070 000)

Stanchion assembly set (247 050 000)

Chassis pocket (247 025 000)

Track roller (247 045 000)

Screw set (247 027 000)

Material: see individual component

Surface: see individual component

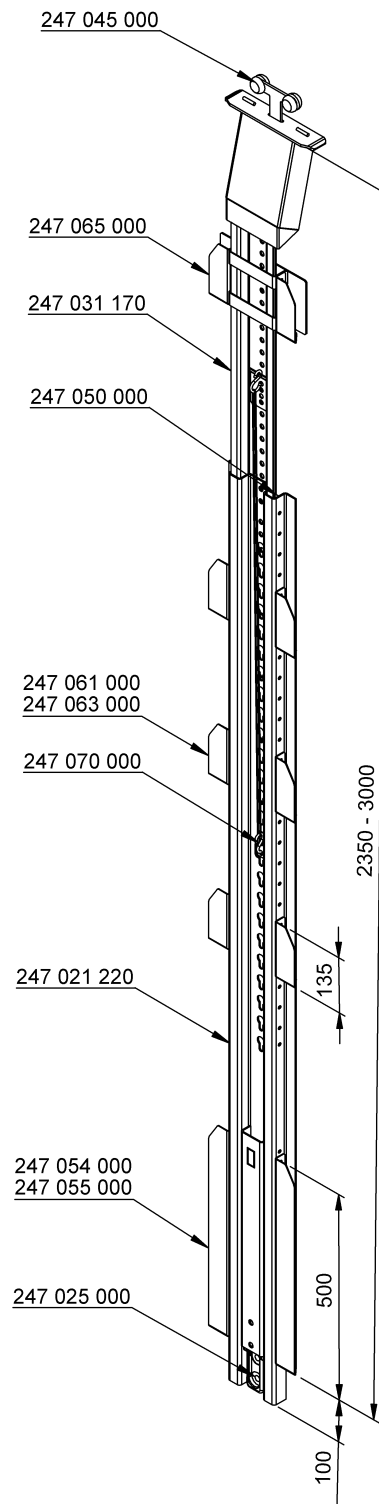
Weight: approx. 27.3 kg

Article No. 247 011 002

Accessories

- Batten pocket, left: 247 061 000
- Batten pocket, right: 247 063 000
- Batten store, left: 247 055 000
- Batten store, right: 247 054 000
- Pocket adapter: 247 065 000
- Blind rivet¹: 379 820

¹ Mono-bolt 6,5 x 4,8



We assume no liability for the accuracy of the technical data, which are intended as a guide! We reserve the right to make design changes.

**SAFE-TI lifting stanchion - STANDARD**

- for HIGHLINER

Length: 2350-3000 mm
 Supply scope: Stanchion body (247 021 220)
 Running frame (247 036 170)
 Extra lifting roof pack (247 070 000)
 Stanchion assembly set (247 050 000)
 Chassis pocket (247 025 000)
 Track roller (247 040 000)
 Screw set (247 027 000)

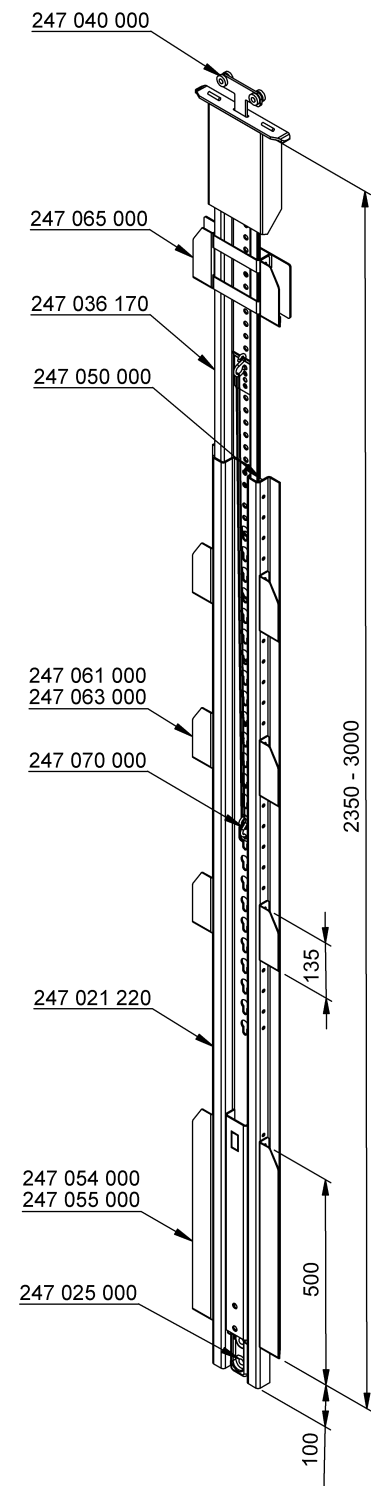
Material: see individual component
 Surface: see individual component
 Weight: approx. 27.3 kg

Article No. 247 011 006

Accessories

- Batten pocket, left: 247 061 000
- Batten pocket, right: 247 063 000
- Batten store, left: 247 055 000
- Batten store, right: 247 054 000
- Pocket adapter: 247 065 000
- Blind rivet¹: 379 820

¹ Mono-bolt 6,5 x 4,8

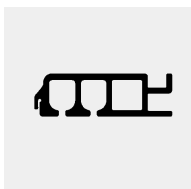


24.15.23.4

CURTAINSIDER kit modules

Side wall components / slide stanchions

■ SAFE-TI



SAFE-TI stanchion - VDI 2700

- for MIX/FLATLINERS

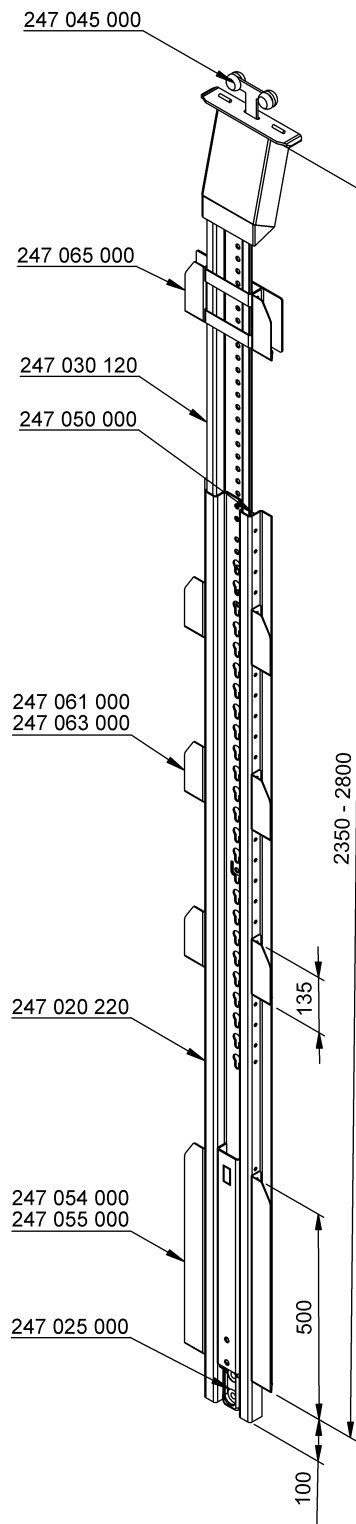
Length: 2350-2800 mm
Supply scope: Stanchion body (247 020 220)
Running frame (247 030 120)
Stanchion assembly set (247 050 000)
Chassis pocket (247 025 000)
Track roller (247 045 000)
Screw set (247 027 000)
Material: see individual component
Surface: see individual component
Weight: approx. 25.5 kg

Article No. 247 003 001

Accessories

- Batten pocket, left: 247 061 000
- Batten pocket, right: 247 063 000
- Batten store, left: 247 055 000
- Batten store, right: 247 054 000
- Pocket adapter: 247 065 000
- Blind rivet¹: 379 820

¹ Mono-bolt 6,5 x 4,8



We assume no liability for the accuracy of the technical data, which are intended as a guide! We reserve the right to make design changes.

**SAFE-TI stanchion - VDI 2700**

- for MIX/FLATLINERS

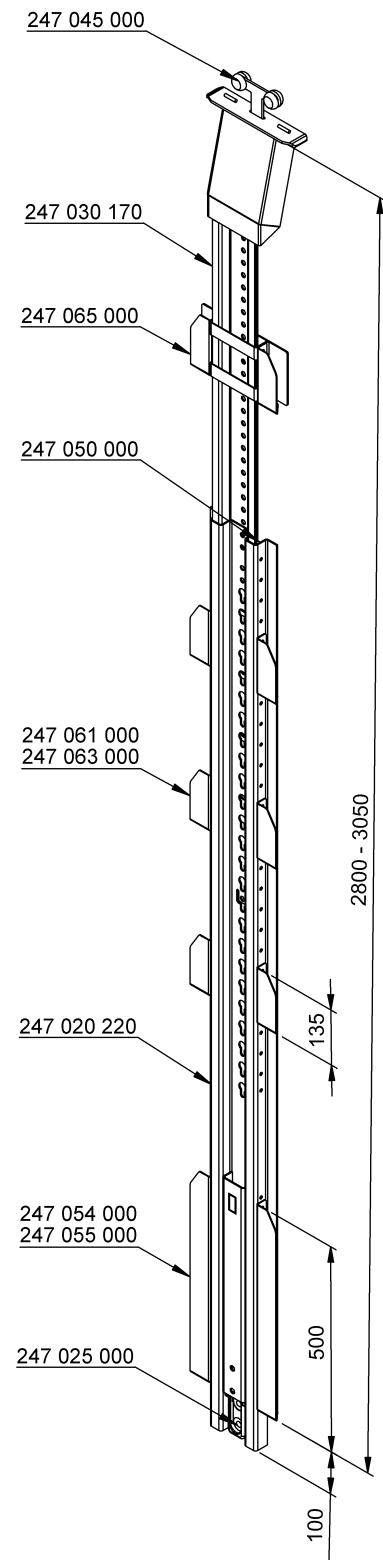
Length: 2800-3050 mm
 Supply scope: Stanchion body (247 020 220)
 Running frame (247 030 170)
 Stanchion assembly set (247 050 000)
 Chassis pocket (247 025 000)

Track roller (247 045 000)
 Screw set (247 027 000)
 Material: see individual component
 Surface: see individual component
 Weight: approx. 27.0 kg

Article No. 247 005 001**Accessories**

- Batten pocket, left: 247 061 000
- Batten pocket, right: 247 063 000
- Batten store, left: 247 055 000
- Batten store, right: 247 054 000
- Pocket adapter: 247 065 000
- Blind rivet¹: 379 820

¹ Mono-bolt 6,5 x 4,8

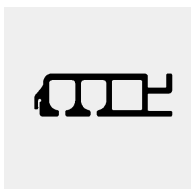


24.15.23.6

CURTAINSIDER kit modules

Side wall components / slide stanchions

■ SAFE-TI



SAFE-TI lifting stanchion - VDI 2700

- for MIX/FLATLINERS

Length: 2350-3000 mm

Supply scope: Stanchion body (247 020 220)

Running frame (247 030 170)

Extra lifting roof pack (247 070 000)

Stanchion assembly set (247 050 000)

Chassis pocket (247 025 000)

Track roller (247 045 000)

Screw set (247 027 000)

Material: see individual component

Surface: see individual component

Weight: approx. 27.3 kg

Article No. 247 011 001

Accessories

• Batten pocket, left: 247 061 000

• Batten pocket, right: 247 063 000

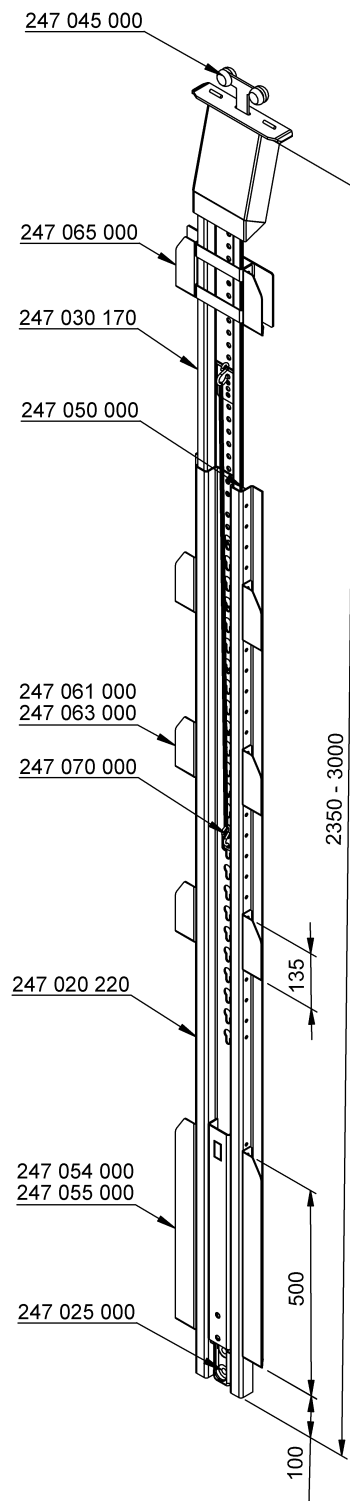
• Batten store, left: 247 055 000

• Batten store, right: 247 054 000

• Pocket adapter: 247 065 000

• Blind rivet¹: 379 820

¹ Mono-bolt 6,5 x 4,8



We assume no liability for the accuracy of the technical data, which are intended as a guide! We reserve the right to make design changes.

**SAFE-TI lifting stanchion - VDI 2700**

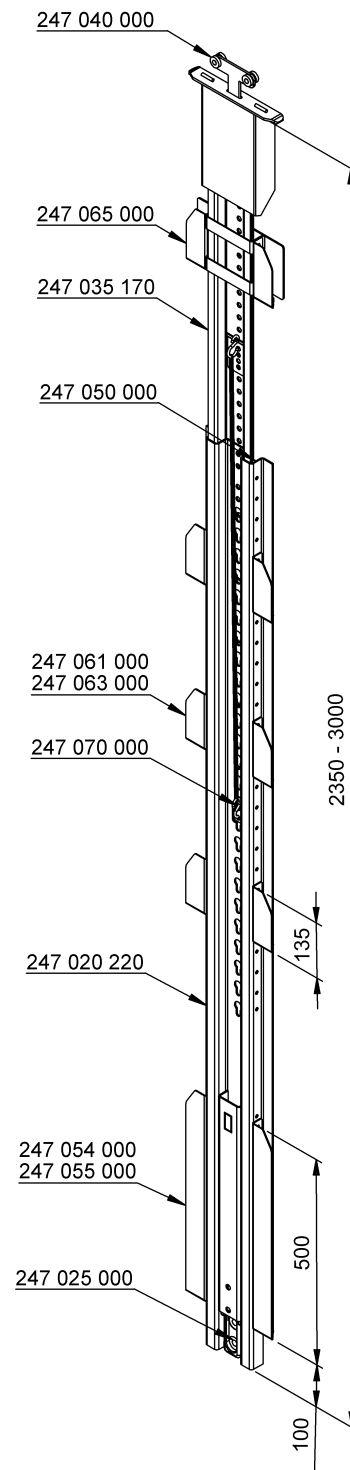
- for HIGHLINERS

Length:	2350-3000 mm
Supply scope:	Stanchion body (247 020 220) Running frame (247 035 170) Extra lifting roof pack (247 070 000) Stanchion assembly set (247 050 000) Chassis pocket (247 025 000) Track roller (247 040 000) Screw set (247 027 000)
Material:	see individual component
Surface:	see individual component
Weight:	approx. 27.3 kg

Article No. 247 011 005**Accessories**

- Batten pocket, left: 247 061 000
- Batten pocket, right: 247 063 000
- Batten store, left: 247 055 000
- Batten store, right: 247 054 000
- Pocket adapter: 247 065 000
- Blind rivet¹: 379 820

¹ Mono-bolt 6,5 x 4,8

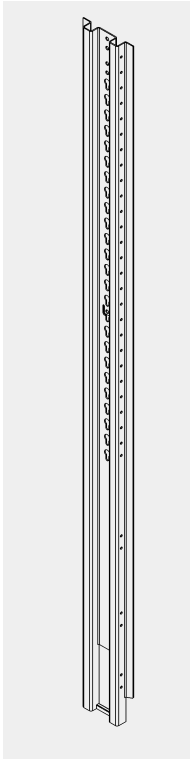


24.15.23.8

CURTAINSIDER kit modules

Side wall components / slide stanchions

■ SAFE-TI – individual components



Stanchion body

• for SAFE-TI stanchion

Length: 2200 mm

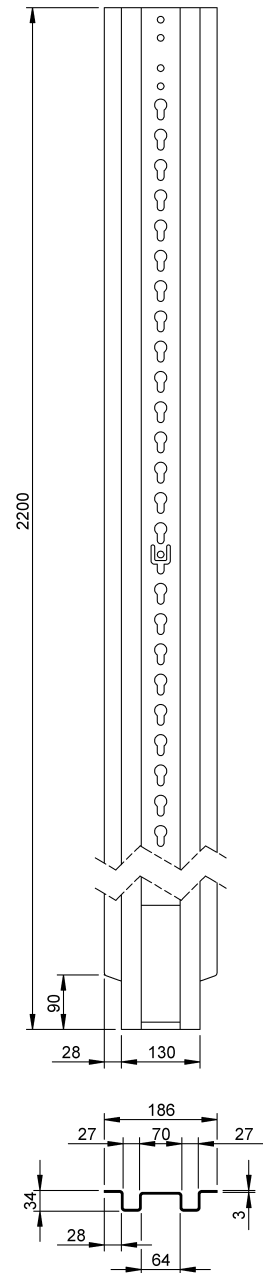
Material: Standard – S 355 J 263
VDI 2700 – QStE 690 TM

Surface: KTL-coated

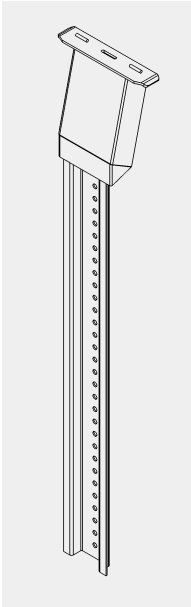
Colour: black

Weight: 18.0 kg

Article No. 247 020 220 – VDI 2700
247 021 220 – Standard



We assume no liability for the accuracy of the technical data, which are intended as a guide! We reserve the right to make design changes.

**Running frame**

- for SAFE-TI stanchion
- for MIX and FLATLINERS (offset)

Length: 1200 mm

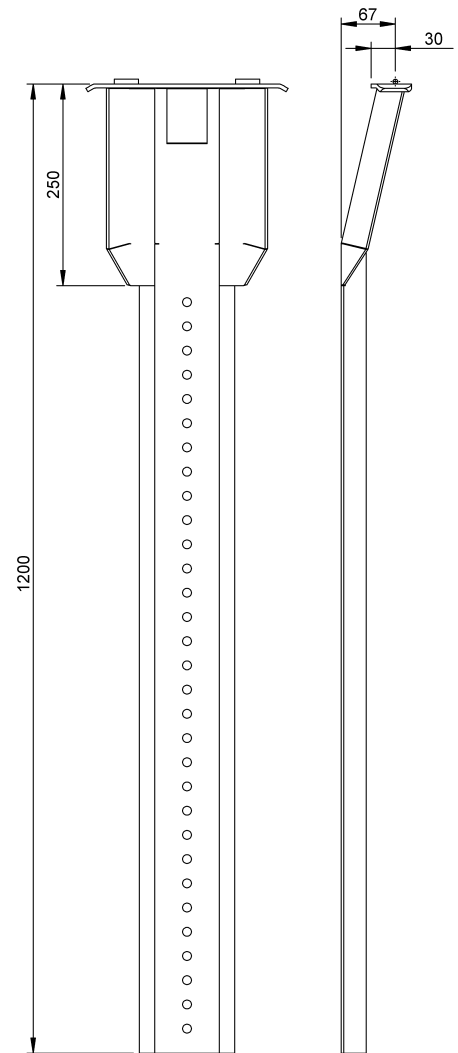
Material: Standard – S 355 J 263
VDI 2700 – QStE 690 TM

Surface: KTL-coated

Colour: black

Weight: 6.0 kg

Article No. 247 030 120 – VDI 2700
247 031 120 – Standard

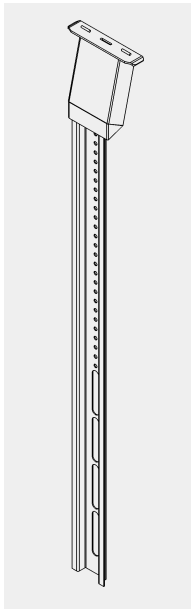


24.15.23.10

CURTAINSIDER kit modules

Side wall components / slide stanchions

■ SAFE-TI – individual components



Running frame

- for SAFE-TI stanchion
- for MIX and FLATLINERS (offset)

Length: 1700 mm

Material: Standard – S 355 J 263
VDI 2700 – QStE 690 TM

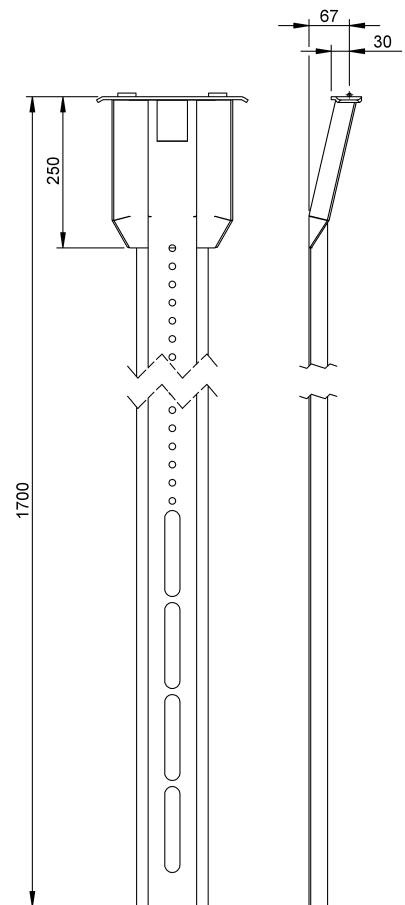
Surface: KTL-coated

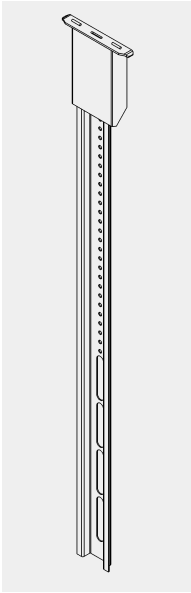
Colour: black

Weight: 7.5 kg

Article No. 247 030 170 – VDI 2700

247 031 170 – Standard



**Running frame**

- for SAFE-TI stanchion
- for HIGHLINERS (straight)

Length: 1700 mm

Material: Standard – S 355 J 263
VDI 2700 – QStE 690 TM

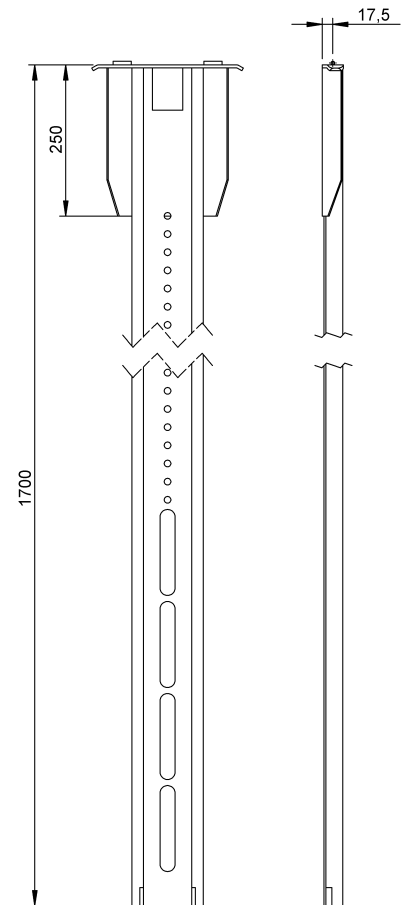
Surface: KTL-coated

Colour: black

Weight: 6.5 kg

Article No. 247 035 170 – VDI 2700

247 036 170 – Standard

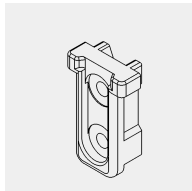


24.15.23.12

CURTAINSIDER kit modules

Side wall components / slide stanchions

■ SAFE-TI – individual components



Chassis pocket

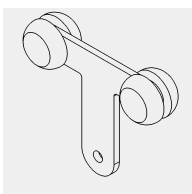
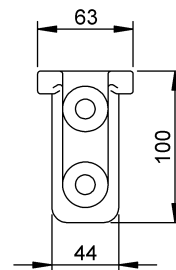
- for SAFE-TI stanchion

Material: cast

Surface: chrome-plated

Weight: 0.7 kg

Article No. 247 025 000

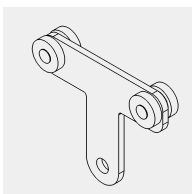
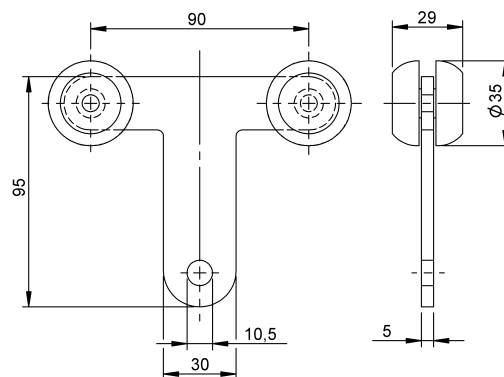


Track roller

- for SAFE-TI stanchion
- for MIX and FLATLINERS

Weight: 0.4 kg

Article No. 247 045 000

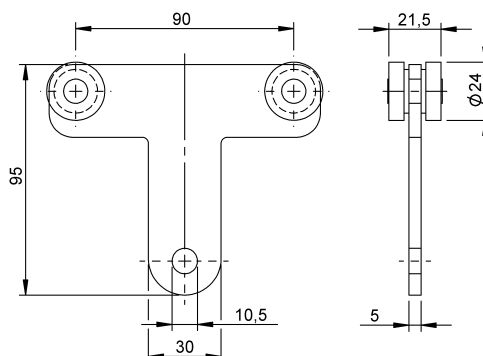


Track roller

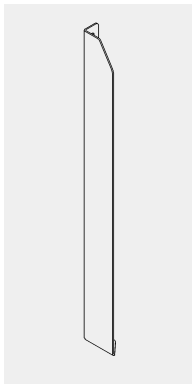
- for SAFE-TI stanchion
- for HIGHLINERS

Weight: 0.4 kg

Article No. 247 040 000



We assume no liability for the accuracy of the technical data, which are intended as a guide! We reserve the right to make design changes.

**Batten store**

- for SAFE-TI stanchion

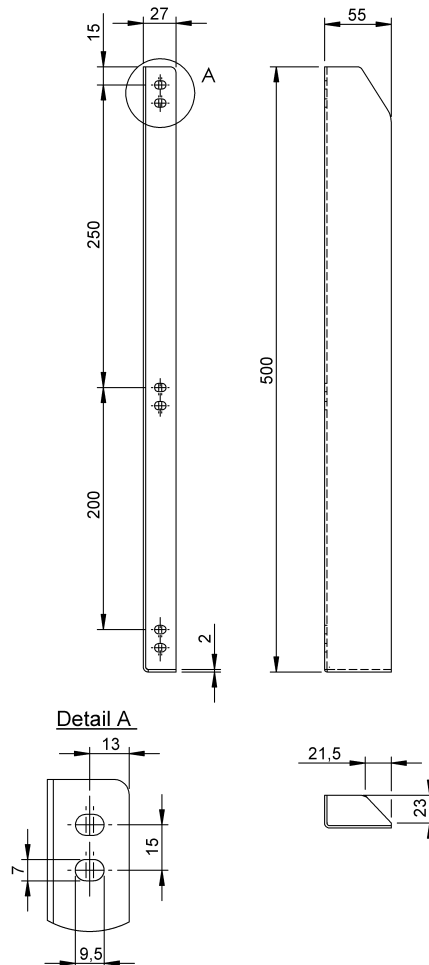
Material: steel

Surface: chrome-plated

Weight: 0.7 kg

Article No. 247 054 – right

247 055 – left

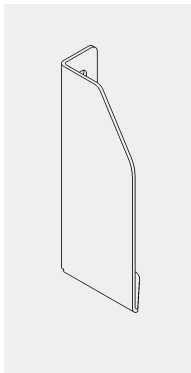


24.15.23.14

CURTAINSIDER kit modules

Side wall components / slide stanchions

■ SAFE-TI – individual components



Batten pocket

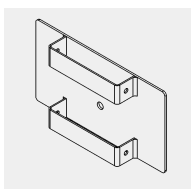
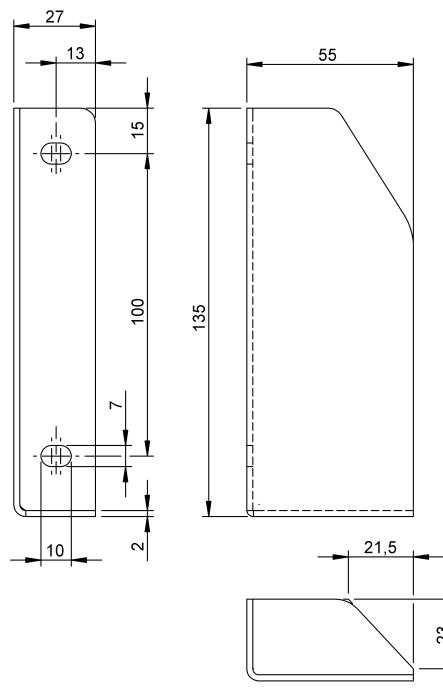
- for SAFE-TI stanchion

Material: steel

Surface: chrome-plated

Weight: 0.2 kg

Article No. 247 061 000 – right
247 063 000 – left



Pocket adapter

- for SAFE-TI stanchion

- Required when fitting the batten pocket to the running frame

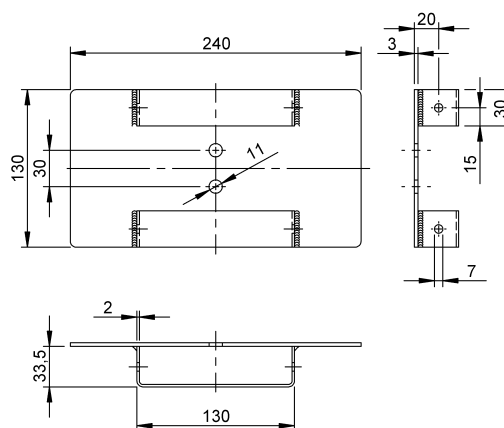
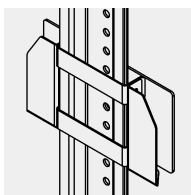
Material: steel

Surface: KTL-coated

Colour: black

Weight: 0,4 kg

Article No. 247 065 000



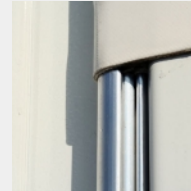
We assume no liability for the accuracy of the technical data, which are intended as a guide! We reserve the right to make design changes.



Push/draw tube adapter,
bottom, „27“



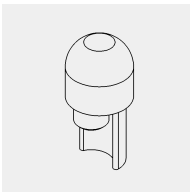
Push/draw tube adapter,
bottom, „35“



Aluminium push/draw tube



Aluminium slot-in profile



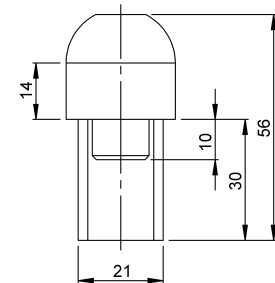
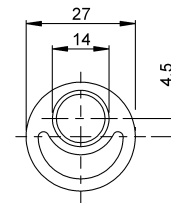
CURTAINSIDER push/draw tube adapter „27“ top

- Fits push/draw tube, Article No. 606 567

Material: brass

Weight: approx 0.15 kg/unit

Article No. 606 565



CURTAINSIDER push/draw/plug-in tube „27“

With piping receptor duct

Length: 3000/3300 mm

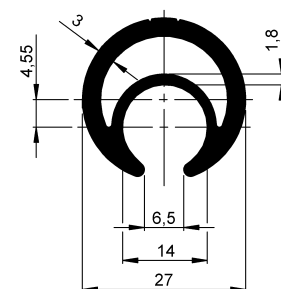
Material: aluminium

Surface: plate-finished

Weight: approx. 0.7 kg/m

Article No. 606 567 300 – 3000 mm

606 567 330 – 3300 mm



Accessories

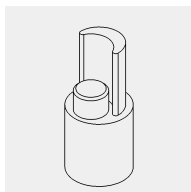
- Upper push/draw tube adapter, Article No. 606 565
- Lower push/draw tube adapter, square, Article No. 606 563
- Lower push/draw tube adapter, Article No. 606 577

24.15.31.2

CURTAINSIDER-kit modules

Side wall components / tarpaulin push/draw tubes

■ Push/draw tubes



CURTAINSIDER push/draw tube adapter, bottom, „27”

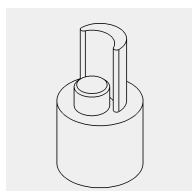
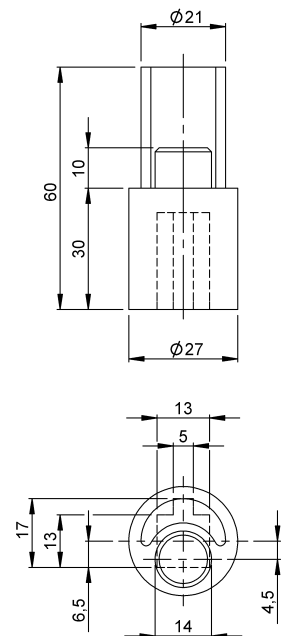
Fits:

- Push/draw type, Article No. 606 567
- Gearing mechanisms, Article Nos. 606 532 001/534/545
- Ratchets with 12 mm square drive, Article No. 605 502/503

Material: brass

Weight: approx 0.15 kg/unit

Article No. 606 563



CURTAINSIDER push/draw tube adapter, bottom, „27”

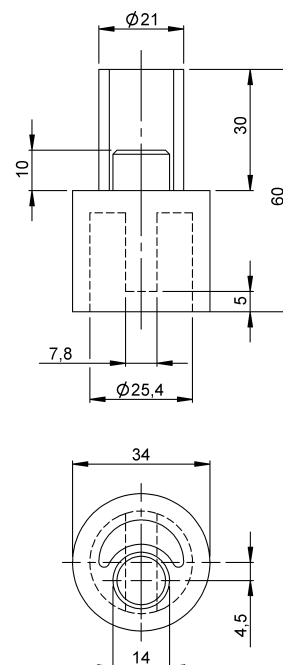
Fits:

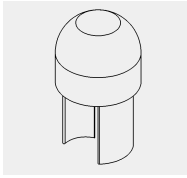
- Push/draw type, Article No. 606 567
- Gearing mechanisms, Article Nos. 606 535, 606 536 001, 606 544
- Ratchets with a slot-head drive, minimum slot width 10 mm, Article Nos. 606 504/505, 606 516 001, 606 517 001

Material: brass

Weight: approx 0.15 kg/unit

Article No. 606 577





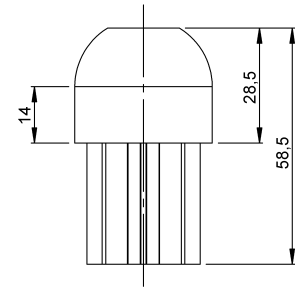
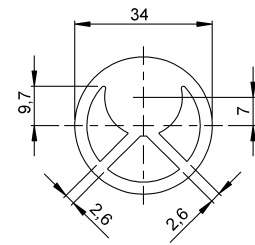
CURTAINSIDER push/draw tube adapter „35” top

- Fits push/draw tube, Article No. 606 568

Material: brass

Weight: approx 0.1 kg/unit

Article No. 606 564



CURTAINSIDER push/draw/plug-in tube „35”

- With piping receptor duct

Length: 3000/3300 mm

Material: aluminium

Surface: plate-finished

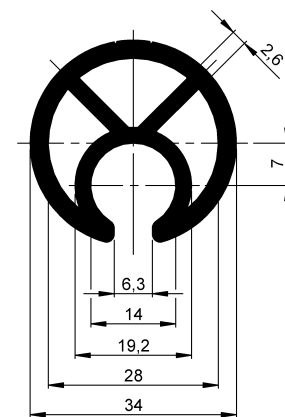
Weight: approx. 1.16 kg/m

Article No. 606 568 300 – 3000 mm

606 568 330 – 3300 mm

Accessories

- Upper push/draw tube adapter, Article No. 606 564
- Lower push/draw tube adapter, Article No. 606 562

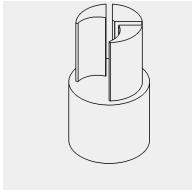


24.15.31.4

CURTAINSIDER-kit modules

Side wall components / tarpaulin push/draw tubes

■ Push/draw tubes



CURTAINSIDER push/draw tube adapter, bottom, „35”

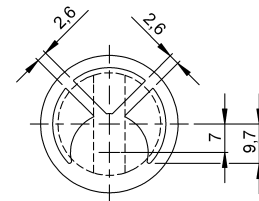
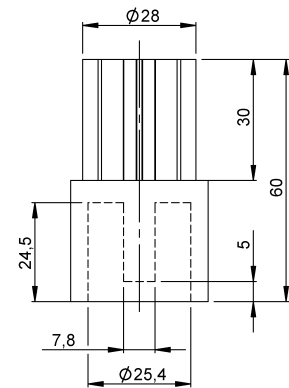
Fits:

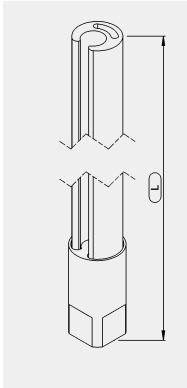
- Push/draw type, Article No. 606 568
- Push/draw type, Article No. 606 535, 606 536 001, 606 544
- Ratchets with a slot-head drive, minimum slot width 10 mm, Article No. 606 504/505, 606 516 001, 606 517 001

Material: brass

Weight: approx 0.1 kg/unit

Article No. 606 562

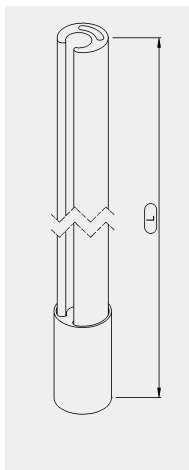
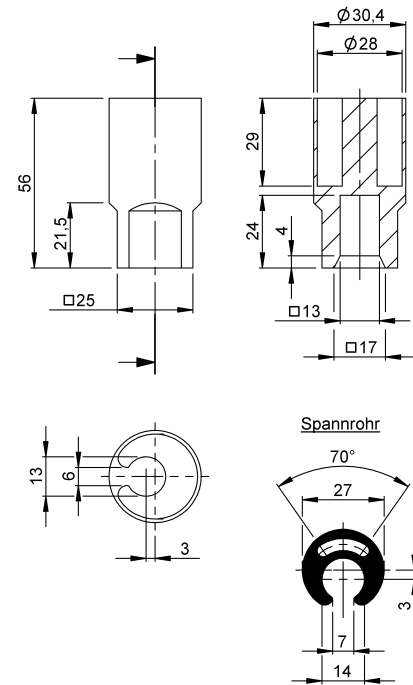


**CURTAINSIDER „27” push/draw tube**

- With lower pressed-on adapter
- With 12 mm square neck
- With piping receptor duct
- Fits mechanisms:
Article No. 606 532 001/534/545
- Fits the ratchets with 12 mm square mechanism:
Article No. 606 502/503

Length: 2900/3400 mm
 Material: aluminium; adapter: cast steel
 Surface: plate-finished
 Weight: approx. 0.92 kg/m

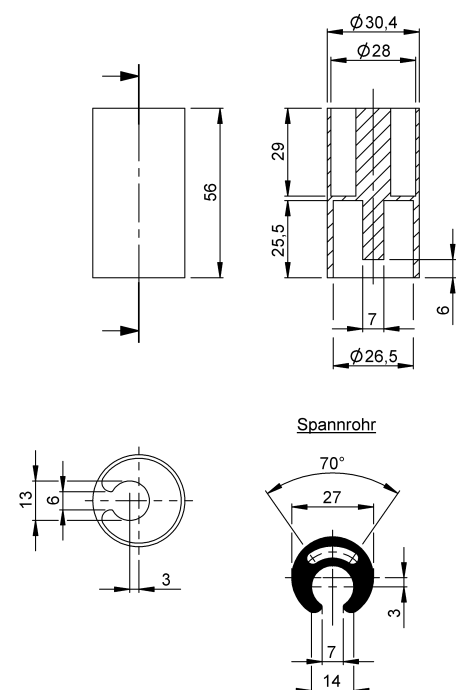
Article No. 606 557 290 – 2900 mm
606 557 340 – 3400 mm

**CURTAINSIDER „27” push/draw tube**

- With lower pressed-on adapter
- With bridging stud
- With piping receptor duct
- Fits mechanisms:
Article No. 606 536 001, 606 544, 606 535
- Fits ratchets with slot-head drive,
minimum slot width 10 mm,
Article Nos. 606 516 001/517 001, 606 504/505

Length: 2890/3390 mm
 Material: aluminium; adapter: cast steel
 Surface: plate-finished
 Weight: approx. 0.92 kg/m

Article No. 606 558 289 – 2890 mm
606 558 339 – 3390 mm



24.15.31.6

CURTAINSIDER kit modules

Side wall components / tarpaulin push/draw tubes

■ Slot-in profile

CURTAINSIDER tarpaulin slot-in profile

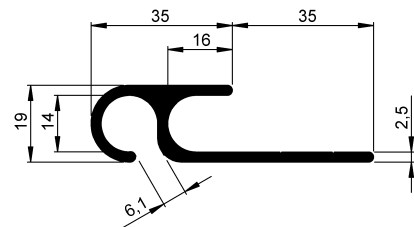
Length: 3000/3300 mm

Material: aluminium

Weight: approx. 0.98 kg/m

Article No. 606 569 300 – 3000 mm

606 569 330 – 3300 mm



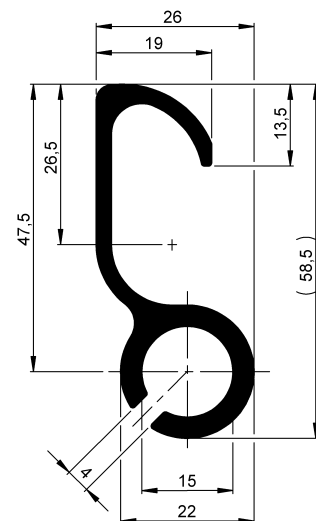
CURTAINSIDER tarpaulin slot-in profile

Length: 3300 mm

Material: aluminium

Weight: approx. 0.95 kg/m

Article No. 606 578



We assume no liability for the accuracy of the technical data, which are intended as a guide! We reserve the right to make design changes



Triggering mechanism



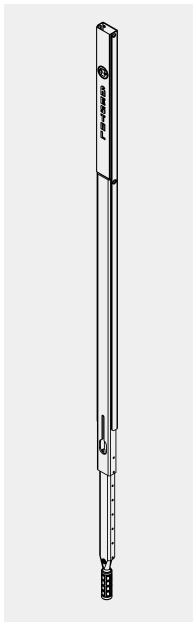
Continuous lifting



Maximum lift 400 mm



Maximum roof weight 1000 kg

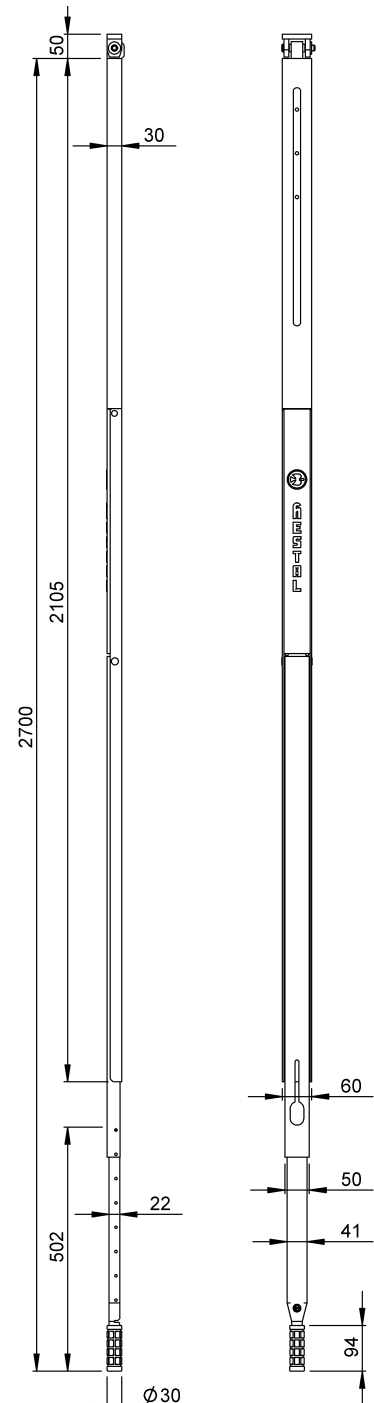


Liftmaster 770 manual – 2700 mm

- Manual roof height adjustment
- Continuous lifting using single strokes
- Given a maximum roof weight of 1000 kg, the roof structure can be lifted up to 400 mm

Material: steel
 Surface: KTL-coated
 Colour: black
 Weight: approx 16.0 kg/unit

Article No. 606 650



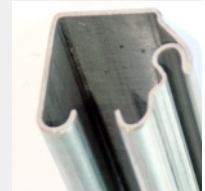
24.15.41.2

CURTAINSIDER kit modules

Side wall components / lifting roof systems

■ Liftmaster

We assume no liability for the accuracy of the technical data, which are intended as a guide! We reserve the right to make design changes.



Steel running rail with groove

CURTAINSIDER running rail, tarpaulin

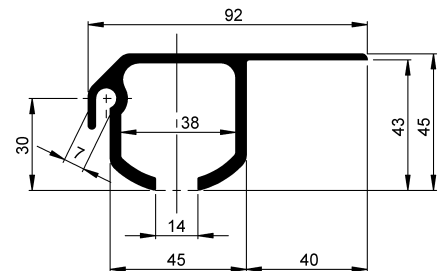
Length: 7000 mm
 Material: aluminium
 Surface: plate-finished
 Weight: approx. 1,79 kg/m

Article No. 606 173

Accessories

CURTAINSIDER lug seal

- Black, Article Nos. 606 261 009/014/020/056
- Grey, Article Nos. 606 263 009/014/020



CURTAINSIDER flat cover strip with groove

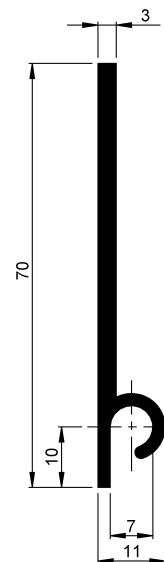
Length: 7000 mm
 Material: aluminium
 Surface: plate-finished
 Weight: approx. 0,61 kg/m

Article No. 606 080

Accessories

CURTAINSIDER lug seal

- black, Article Nos. 606 261 009/014/020/056
- grey, Article Nos. 606 263 009/014/020



24.15.51.2

CURTAINSIDER- kit modules

Side wall components / accessories

■ Running rails

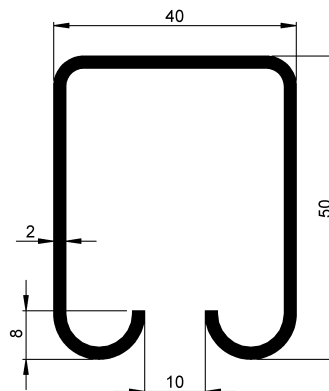
CURTAINSIDER running rail

Length: 7800 mm
Material: steel
Surface: galvanised
Weight: approx. 2,38 kg/m

Article No. 606 216

Accessories

- CURTAINSIDER tarpaulin track roller, Art. No. 606 381
- CURTAINSIDER stanchion bogey wagon, Art. No. 606 361



CURTAINSIDER running rail with groove

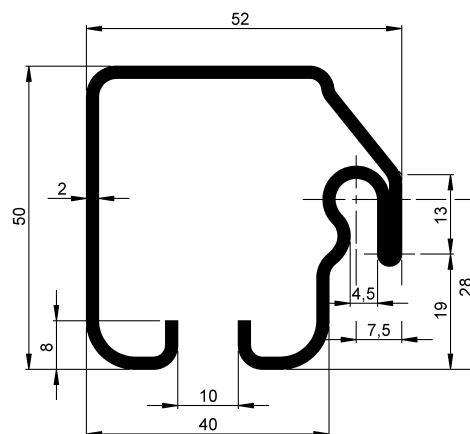
Length: 7800 mm
Material: steel
Surface: galvanised
Weight: approx. 3,0 kg/m

Article No. 606 219 780

Accessories

CURTAINSIDER lug seal

- black, Article Nos. 606 261 009/014/020/056
- grey, Article Nos. 606 263 009/014/020
- CURTAINSIDER tarpaulin track roller, Art. No. 606 381



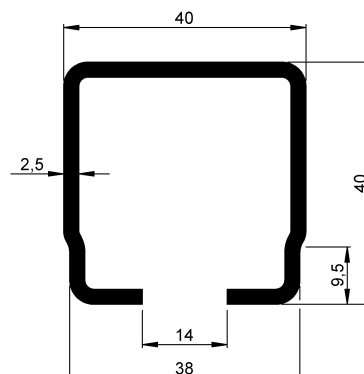
CURTAINSIDER running rail

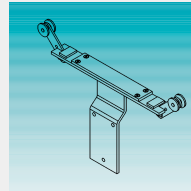
Length: 6000 mm
Material: steel
Surface: galvanised
Weight: approx. 2,5 kg/m

Article No. 501 340

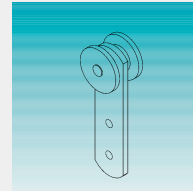
Accessories

CURTAINSIDER tarpaulin track roller, Art. No. 606 302/304

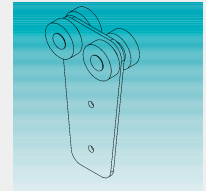




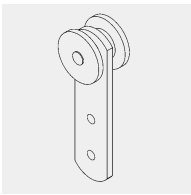
Stanchion bogey wagon



Single-pair tarpaulin track roller



Double-pair track roller

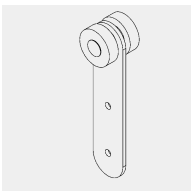
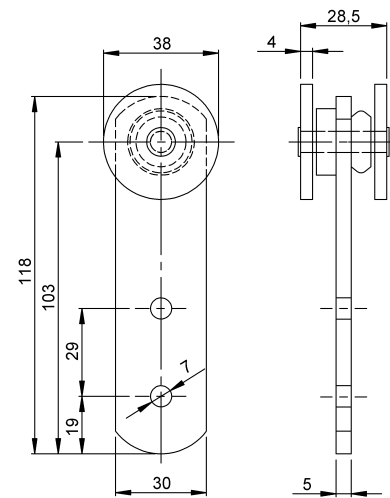


CURTAINSIDER riveted track roller, pivoting 15°

- Single pair
- Fits CURTAINSIDER steel running rail, Article No. 606 216/219

Material: steel
 Surface: galvanised
 Weight: approx 0.22 kg/unit

Article No. 606 381

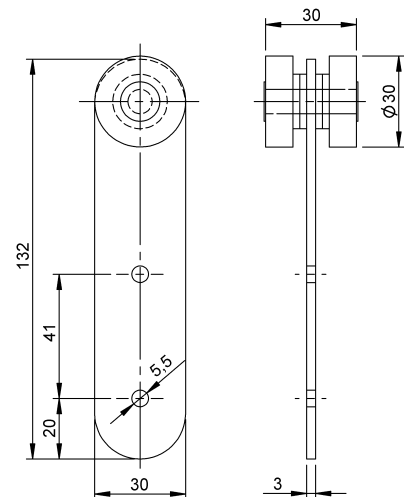


CURTAINSIDER riveted track roller

- Single pair
- Fits CURTAINSIDER steel running rail, Article No. 501 340

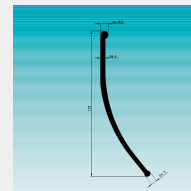
Weight: approx 0.12 kg/unit

Article No. 606 302





Use of the lug seal



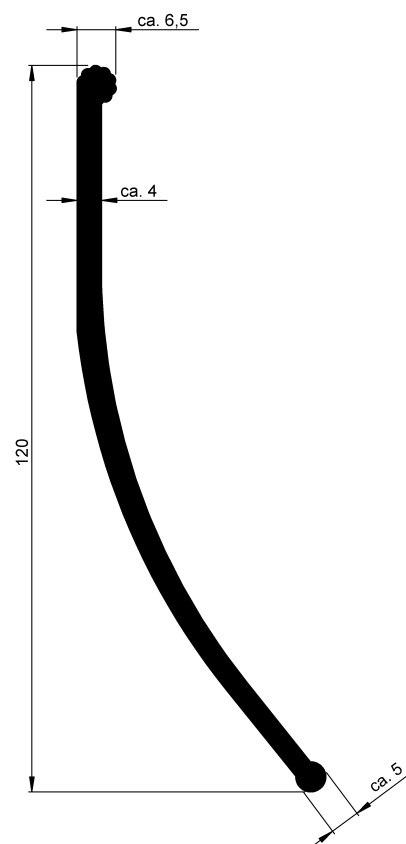
Lug seal

CURTAINSIDER exterior lug seal

- Fits CURTAINSIDER running rail and cover frame profiles with groove, Article No. 606 080/173/219

Weight: approx. 0.85 kg/m

- Article No. 606 261 014 black, roller length 14 m**
606 261 020 black, roller length 20 m
606 261 056 black, roller length 56 m
606 261 009 grey, roller length 9 m
606 263 014 grey, roller length 14 m
606 263 020 grey, roller length 20 m



24.15.71.2

CURTAINSIDER kit modules

Side wall components / accessories

■ Seals

We assume no liability for the accuracy of the technical data, which are intended as a guide! We reserve the right to make design changes.



■ **TITGEMEYER (UK) Ltd**
■ A2 Link One Industrial Park
■ George Henry Road
Tipton, West Midlands, DY4 7BU
Tel. 0121-557-9777
Fax. 0121-557-4777
sales@titgemeyer.co.uk
www.titgemeyer.co.uk