

GETO® Variosider



■ GETO® Variosider lightweight curtainsider



GETO® Variosider: Meeting stringent quality requirements

GETO® Variosider is designed to be fitted to vehicles with a gross vehicle weight from 3.5 to 8 tonnes. Delivery times of just four weeks allow bodybuilders to respond flexibly to their customer's needs. This range of body kits includes versions up to 7500 mm external length, with fixed roof and various rear frame options. A wide range of accessories is also available. The side rave profile with integrated cargo control is designed to ensure that goods are safely secured.

The low body weight translates into maximum payload. Thanks to the use of high-quality materials such as anodised aluminium, stainless steel and specially-reinforced plastics, the GETO® Variosider offers an optimum combination of low weight, robust strength and low maintenance.

■ GETO® Variosider lightweight curtainsider

Fast installation

GETO® Variosider is distinguished by very short installation times, thanks to meticulous advance preparation.

The kit comes ready to assemble and packed in boxes. All components are fully ready for use, cut to length, drilled and shaped to fit. Joints are all screwed, bolted or riveted, with no need for additional welding. Depending on the specification, installation requires up to 12 hours.

Supplied with:

- Cantrails
- Base members
- Corner posts
- Side raves
- Pre-fabricated front bulkhead and rear doors
- Pelmet
- Fasteners
- Roof components with knock-in strip

Accessories

A full range of accessories is available, including such items as mudguards, side underrun systems and the complete TITGEMEYER range of lighting equipment.



Supplied: ready to fit and packed in boxes.

Kit weights

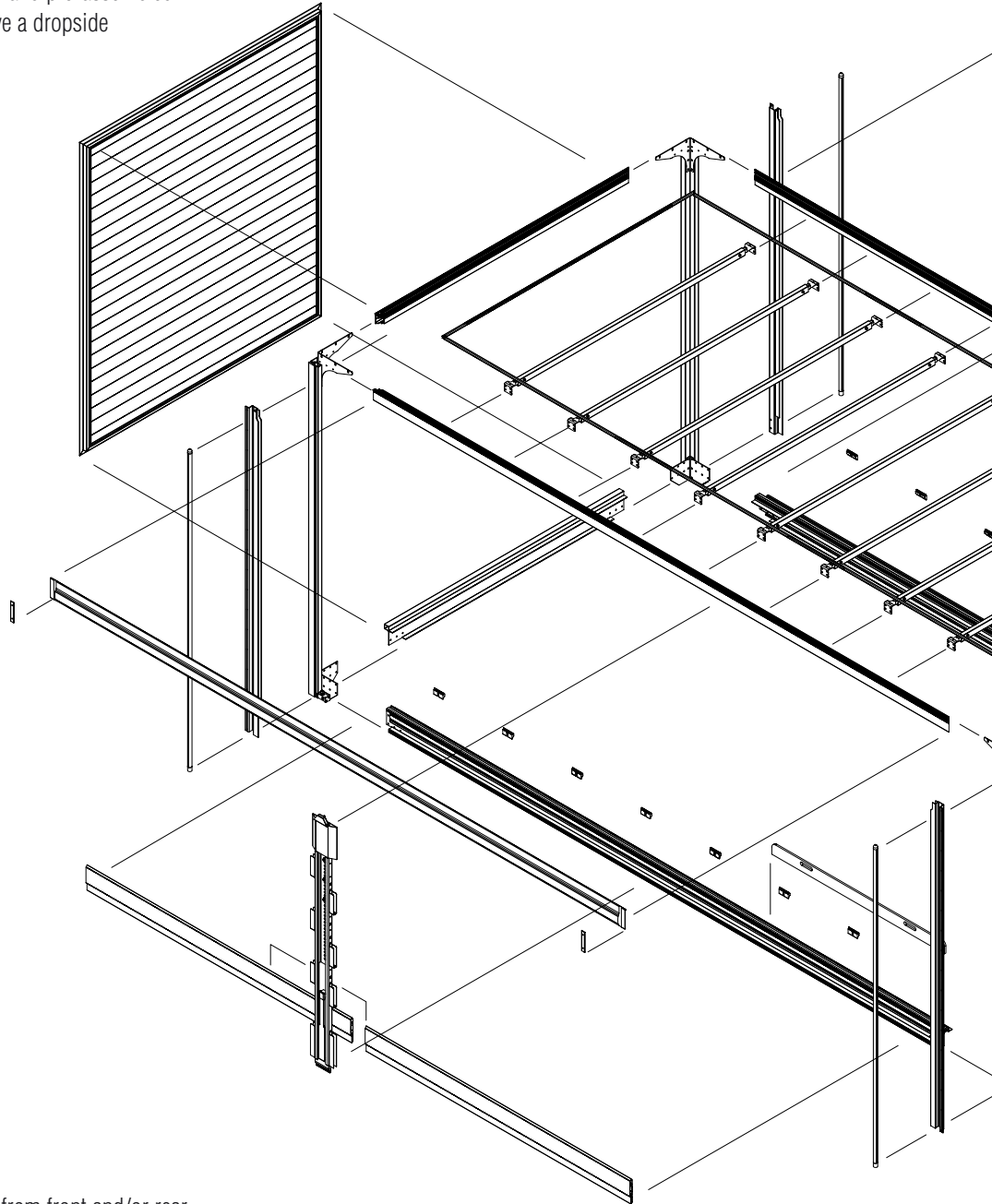
Example: GETO® Variosider without doors and flap above tail-lift, aluminium bulkhead, three rows of battens, removable pallet stops

Side aperture height [mm]	External length [mm]	External width [mm]	Centre post [qty.]	Weight [kg]
2000	4200	2200	–	389
2200	4200	2200	–	404
2350	4200	2200	–	418
2000	6500	2200	2	493
2200	6500	2200	2	509
2350	6500	2200	2	522

■ GETO® Variosider lightweight curtainsider

Front and rear

- Double-leaf rear doors with recessed locks
- Flap above tail-lift, including gas springs
- Front bulkhead and/or rear-wall panels made of anodised aluminium profiles, bordered all round and pre-assembled
- Open rear frame e.g. for a curtain above a dropside



Side curtain

- Designed to be opened and tensioned from front and/or rear

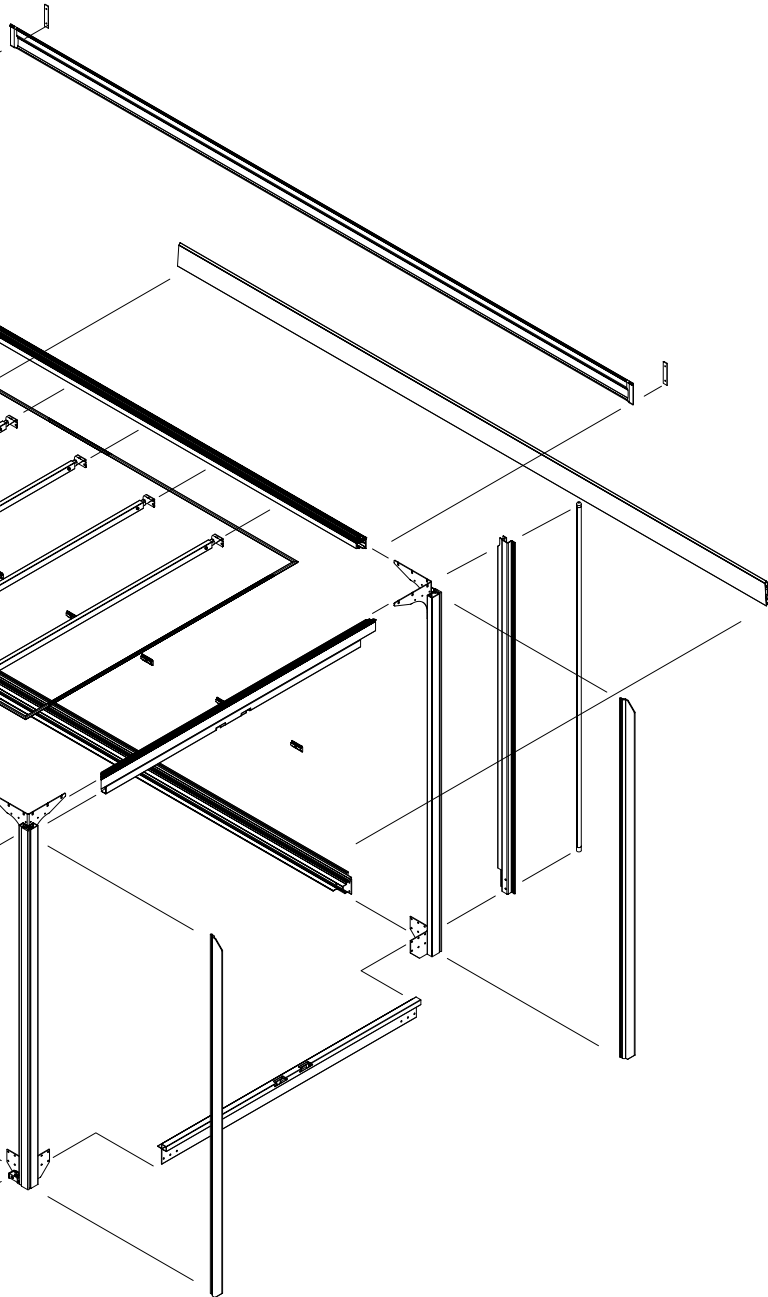


■ GETO® Variosider lightweight curtainsider

Roof specification:

Fixed roof

- Cantrail extrusion with track for side curtains and fixing channel for roof sheet
- Roof bows at approx. 600 mm centres

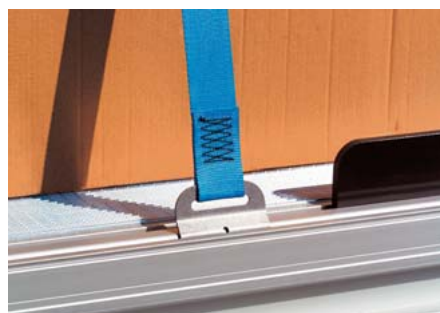


Cargo control

- Lashing rail integrated into side rave profile

Accessories

- Straps with ratchet



■ GETO® Variosider lightweight curtainsider Front and rear

Frame specifications:

- Front and rear frames are identical
- Corner posts are ready-fitted with stainless steel brackets for the cantrail and side rive extrusions
- Pre-assembled stainless-steel corner brackets
- Bottom rear member options:
Aluminium or stainless steel

Options:

- Double-leaf rear doors with recessed locks
- Flap above tail-lift including gas springs (water deflector optional)
- Front and rear-wall panels made of anodised aluminium profiles, bordered all round and pre-assembled
- Open rear frame e.g. for a curtain above a dropside



GETO® Variosider with double-leaf rear doors and recessed locks

■ GETO® Variosider lightweight curtainsider Sidewalls

Curtains

- Curtain opens from front and/or rear
- Curtains not included
- Accessories supplied:
 - Curtain poles and cams
 - Tensioners with ratchet cams



Tensioned from the front and rear

Cargo control battens

- Anodised aluminium
- Prefabricated to suit external body length
- Removable
- Including batten pockets fitted to the corner posts and (if applicable) the roof support posts



Components fully prepared

Side raves

- Anodised aluminium extrusions
- All components are fully ready for use, cut to length, drilled and shaped to fit
- Including removable pallet stops (quantity to suit external body length)

Roof support post

- Removable
- Galvanised steel
- Fastened to cantrail and secured in side rave
- Batten pockets can be fitted to the support post if required
- Standard for external body lengths of 4500 mm and more
- Available for shorter body lengths if requested



Roof support post

■ GETO® Variosider lightweight curtainsider Roofs

Fixed roof sheet

- Cantrails are anodised aluminium extrusions
- Integrated track for curtains and fixing channel for roof sheet
- The roof support post is bolted to a cantrail bracket
- Roof bows are anodised aluminium and bolted to the cantrails
- Roof bows at approx. 600 mm centres
- Pelmet in black or grey
- Roof sheet not included



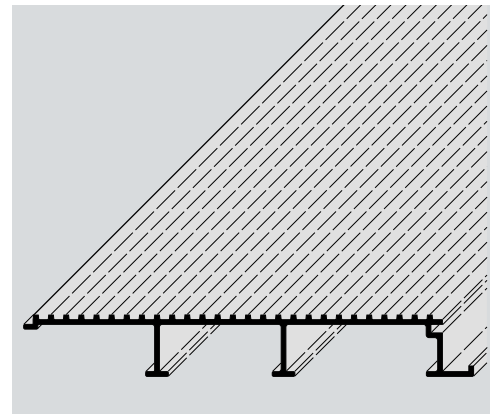
Cargo control

- Ratchet strap with special end hook
Lashing strap conforming to EN12195-2
Tensile load 1000 daN
Part No. 555 721 000



Aluminium flooring

- Recommended floor thickness 30 mm,
Standard length 7500 mm
Part No. 224 041 750 floor profile



■ GETO® Variosider lightweight curtainsider

Enquiry Order

Date _____

Please note that we will need certain details before replying to your enquiry/order. Please complete the form below and fax it to: **+49 (0)5 41/58 22-492**. We will contact you without delay.

Further information on **GETO® Variosider** lightweight curtainsider kits can be obtained by e-mailing: **vertrieb-f@titgemeyer.com**

Company _____	Customer No. _____
Address _____	
Zip/Postcode _____	Town/City _____
Tel.: (_____) _____	Fax: (_____) _____
E-mail: _____	
Contact	<input type="checkbox"/> Mr <input type="checkbox"/> Mrs/Miss/Ms _____

Technical specifications

GETO® Variosider (3.5 – 8.0 t gross vehicle weight – up to 7350 mm body length)	
External length	_____ mm
External width	_____ mm
Side aperture height	_____ mm
Front	<input type="checkbox"/> Open <input type="checkbox"/> Front bulkhead panel made of pre-assembled anodised aluminium profiles
Rear	<input type="checkbox"/> Open <input type="checkbox"/> Rear wall panel made of pre-assembled anodised aluminium profiles <input type="checkbox"/> Flap above tail-lift <input type="checkbox"/> Water deflector for tail-lift <input type="checkbox"/> Double-leaf doors with recessed locks in both doors, internal lining primed steel, with external aluminium hinges
Bottom rear member	<input type="checkbox"/> Aluminium (cannot be combined with tail-lift) <input type="checkbox"/> Stainless steel

Roof Fixed roof sheet (sheet not included)

Sidewall Roof support post

Standard from 4500 mm external length

Support post on body shorter than 4500 mm external length

Pelmet

Black

Grey

Low cargo control battens

Without

One row

Two rows

Upper cargo control battens (rubber inserts in corner pillars)

Without

One row

Two rows

Three rows

Accessories Lashing straps

___ number of straps with hooks to suit side rave Part No. 555 721 000

Aluminium floor extrusions (supplied as profile sections, not installed)

30 mm, Part No. 224 041 750



■ **Gebr. TITGEMEYER GmbH & Co. KG**

■ Hannoversche Straße 97
■ (Navigation: Hettlicher Masch 2)

■ D-49084 Osnabrück, Germany
Postfach 43 20

D-49033 Osnabrück, Germany

Telefon: +49 (0)5 41/58 22-0

Telefax: +49 (0)5 41/58 22-492

E-Mail: vertrieb-f@titgemeyer.com

www.titgemeyer.com