

TITGEMEYER^{GTO}

YOUR SOLUTION

■ **TIOS[®] ER15** battery operated rivet tool



**Perfected
technology**

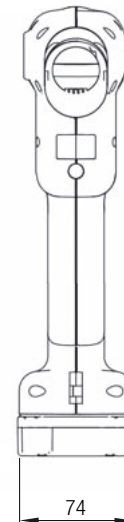
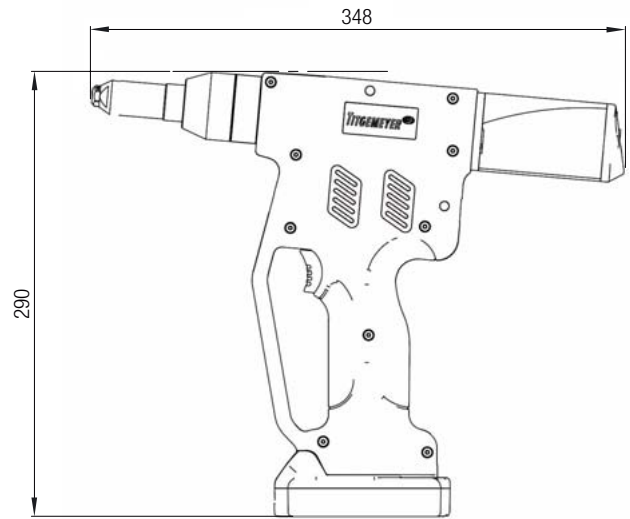
Made in Germany

TIOS® ER15 battery operated rivet tool

Perfected technology

The TIOS ER15 battery operated blind rivet tool sets new standards. This efficient and highly-versatile tool offers up to twice the installation speed of conventional battery operated devices. Designed for high precision industrial use, it manages to combine advanced technical features with a long service life and easy maintenance.

- Robust 18V lithium-ion battery for maximum performance
- Extremely fast charging of the standard battery (under 40 minutes)
- Extremely long battery-life: 770 + installations per charge (based on tests using steel 4.8 mm blind rivets, 8 kN breakload, 1.65 Ah battery)
- Intelligent battery-management for better performance
- Future-proof, 18V lithium-ion battery technology
- Can be used with standard 18V Makita® batteries
- Compact, ergonomically designed standard battery (TIOS LIO1816 (1.65 Ah))
- Increased performance with optional battery TIOS LIO1833 (3.3 Ah)



TIOS ER15 battery operated rivet tool

1 x TIOS LIO1816 battery

1 x TIOS LIO2830 single-battery charger

Standard 4.0 – 6.4 mm nose pieces

Operating instructions

Part No. 352 200 000

TIOS ER15 battery-powered blind-riveting tool

Standard 4.0 – 6.4 mm nose pieces

Operating instructions

Part No. 352 200 001

Performance range

Blind rivet type	Material				
	Alu/Steel	Alu/Stainless	Alu/Alu	Steel/Steel	Stainless/Stainless
Standard (POP, TIFAS) up to \varnothing 8.0 mm	•	•	•	•	•
TIFAS Multigrip up to \varnothing 6.4 mm	•	•	–	•	•
TIFAS folding-leg blind rivets up to \varnothing 6.5 mm	–	–	•	•	–
Power blind rivets up to \varnothing 4.8 mm	•	–	–	•	–
TIFAS Power-Grip blind rivets up to \varnothing 4.8 mm	•	–	–	•	•
TIBULB blind rivets up to \varnothing 6.5 mm	–	–	•	•	•
M-LOK blind rivets up to \varnothing 6.5 mm	–	–	•	•	•
Magna-Bulb blind rivets up to \varnothing 6.5 mm	–	–	–	•	–

Compact, modular design



Pressure controlled operation ensures reliable joints and prevents expansion of the rivet between the components



Quick change systems for consumable parts and spent mandrel container



Integrated LED light for illumination of the application



Precision spindle for fast installation process



Push-in mechanism for fast battery change



Brushless high-performance motor – maintenance free

TIOS® ER15 battery operated rivet tool

Accessories

Description	Part No.
TIOS LI01816 1.65 Ah push-in battery	352 200 900
TIOS LI01833 3.3 Ah push-in battery	352 200 901
TIOS LI02830 single-battery charger	352 200 910
TIOS LI02830-4 Multi-charger (4 batteries)	352 200 911
TIOS LI02830-8 Multi-charger (8 batteries)	352 200 912
Complete hanging kit	352 200 921

Special fittings for 3.0 mm ø rivets

Description	Part No.
3.0 mm nose piece, incl. reducing bush	352 200 103

Rivet holding nose pieces

Description	Part No.
3.0 mm holding nose piece	352 200 950
4.0 mm holding nose piece	352 200 951
5.0 mm holding nose piece	352 200 952
6.0 mm holding nose piece	352 200 953
6.5 mm holding nose piece	352 200 954

Consumables

Description	Part No.
Jaws	326 583 000
Jaw case	352 200 110
4.0 mm nose piece	352 200 104
4.8 / 5.0 mm nose piece	352 200 105
6.0 mm nose piece	352 200 106
6.5 mm nose piece	352 200 107

Special fittings for 6.5 mm ø rivets*

Description	Part No.
6.5 mm "concave" nose piece	431 502 000
Jaw case set	431 821 870

* e.g. for use with Hemlok blind rivets



 **TITGEMEYER (UK) Ltd**
 A2 Link One Industrial Park
 George Henry Road
 DY4 7BU Tipton, Great Britain
 Phone: +44 (0)121-557-9777
 Fax: +44 (0)121-557-4777
 sales@titgemeyer.co.uk
 www.titgemeyer.co.uk