

TITGEMEYER^{GTO}

YOUR SOLUTION

■ **TIOS[®] EL18** battery-operated installation tool
for lockbolts and high-strength blind rivets



**DESIGNED FOR
INDUSTRY
HIGH PERFORMANCE
Li-Ion TECHNOLOGY**

Made in Germany

TIOS® EL18 battery-operated installation tool – for lockbolts and high-strength blind rivets

TIOS® EL18 battery-operated installation tool – for lockbolts and high-strength blind rivets

Designed for industrial use, this tool offers cutting-edge technology, high performance, durability and easy maintenance all rolled into one. With its new technology and high-quality workmanship, the TIOS EL18 is at the technological forefront of currently available tools. The 18V Li-Ion battery technology provides for maximum mobility. Backed up by 18kN of tensile force, this tool is capable of installing standard lockbolts and high-strength blind rivet at a rate of 22 mm per second. Its low weight means it is easy to handle and can be used in any situation.

Technical specifications

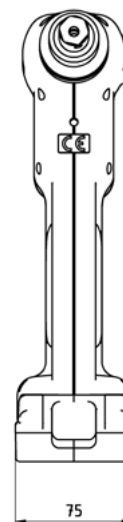
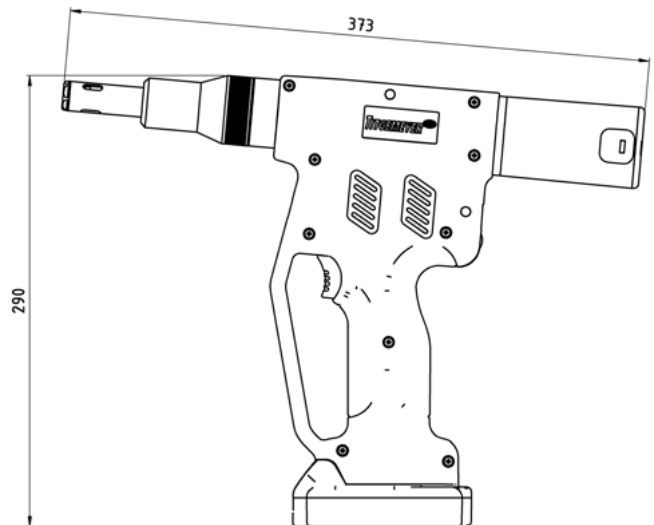
- Range of application \varnothing 4.8 – \varnothing 6.4 mm lockbolts and high-strength blind rivets
- Max. insertion force: 18 kN
- Max. stroke: 25 mm
- Weight 2.3 kg (incl. pulling head)
- Battery: 2.0 Ah or 4.0 Ah

At a glance

- Light and easy to use
- Compact and ergonomic construction for maximum mobility
- Quick, reliable installation of lockbolts and high-strength blind rivets
- Low-weight (2.3 kg, incl. pulling head)
- Universal use, easy and safe to use; no pneumatic or hydraulic hoses, or electric cables
- Low running and tooling costs compared with pneumatic and hydraulic tools
- Rapid change system for different pulling heads
- Brushless, maintenance-free, high-performance motor
- Large spent mandrel container
- LED lamp
- 18V rapid change lithium-ion battery
- Super-fast charging of standard batteries (< 40 minutes)
- Extremely long battery life per charge: up to 600 installations/battery charge
- Twice as many lockbolt/rivet installations through optional TIOS LIO1840 rechargeable battery (4.0 Ah)

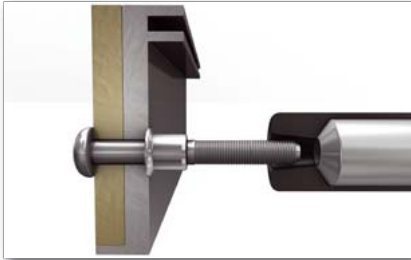
Options

- TIOS Control process control (force/travel curve)
- Radio module (WLAN 2.4 GHz und 5 GHz, ZigBee 2.4 GHz)
- Barcode reader (for program settings or to identify parts)



TIOS® EL18 battery-operated installation tool for lockbolts and high-strength blind rivets

Compact modular design



For lockbolts of up to \varnothing 6.5 mm



Quick lock and release for spent mandrel container



Built-in LED lamp illuminates the work piece



Precision spindle for guaranteed longer service life



Sliding mechanism for rapid battery changes



High-performance, brushless motor – no maintenance required

TIOS® EL18 battery-operated installation tool for lockbolts and high-strength blind rivets

Pulling heads for use with TIOS® EL18

Fasteners	Nominal \varnothing [mm]	Pulling head type	Part No.
<i>for lockbolts</i>	5.0	99-3003	371 680
		99-3006	371 705
Standard	6.0 / 6.5	99-3006	371 705
	5.0	99-1456	372 985
Multigrip	6.5	99-1477	371 980
	<i>for high-strength blind rivets</i>	5.0	99-3303
99-3305			371 815
M-LOCK / MAGNA-BULB	6.5	99-3305	371 815

Accessories

Description	Part No.
TIOS LI01820 battery 2.0 Ah	352 200 902
TIOS LI01840 battery 4.0 Ah	352 200 903
TIOS LI02830 single charger	352 200 910
TIOS LI02830-4 multi-charger, 4 charging stations	352 200 911
TIOS LI02830-8 multi-charger, 8 charging stations	352 200 912
Complete fixing kit (without balancer)	352 200 921

List of parts

- TIOS EL18 battery-operated installation tool
(pulling heads not supplied*)
- 1 battery 2.0 Ah
- 1 charger
- Instruction manual
- Carrying case

Part No. 352 300 000

** The required pulling heads depend on the type and diameter of the lockbolts and high-strength blind rivets that are being used*



 **TITGEMEYER (UK) Ltd**
 A2 Link One Industrial Park
 George Henry Road
 DY4 7BU Tipton, Great Britain
 Phone: +44 (0)121-557-9777
 Fax: +44 (0)121-557-4777
 sales@titgemeyer.co.uk
 www.titgemeyer.co.uk