

But that's not all!

In the furniture transport business especially, webbing belts are a popular means of securing items of furniture. DEKRA has drafted a report on this subject: AMÖ webbing belt knots – Certificate AG70/11068/1804815963. The webbing belt threads and slides through the multi-corner window without difficulty and can be knotted just as easily.



Gebr. TITGEMEYER GmbH & Co. KG

Hannoversche Straße 97

(Navigation: Hettlicher Masch 2)

49084 Osnabrück, Germany

P.O. Box 43 20

49033 Osnabrück, Germany

Phone: +49 (0)5 41/58 22-0

Fax: +49 (0)5 41/58 22-494

email: truckandtrailer@titgemeyer.com

www.titgemeyer.com

TITGEMEYER[®] GTO

YOUR SOLUTION

GETO[®] Rail Recessed lashing rail



All technical specifications are non-binding. Designs are subject to change. Our design proposals are non-binding!
TITGEMEYER and GETO are registered trademarks.

TITGEMEYER T116496B(0213)1

■ GETO® Rail Recessed lashing rail

The recessed lashing rail for plywood or sandwich panels is an all-round talent when it comes to cargo control. The aluminium lashing rail sits flush to the wall of the vehicle.

There are no corners and no edges! Nothing sticks out! This ensures damage-free transportation of cargo! What's more: The vehicle's entire internal width can be used as a result.

The product's versatility makes it especially popular for city deliveries.

Transporting different types of cargo with different dimensions all at the same time requires a universal solution.

The GETO Rail lashing rail offers all the benefits of conventional slotted-hole cargo control tracks as well as cargo control pans and can therefore also be used in place of all recognised cargo control items. In short, it's **made for all**.

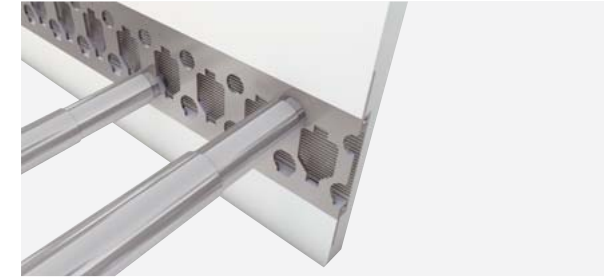
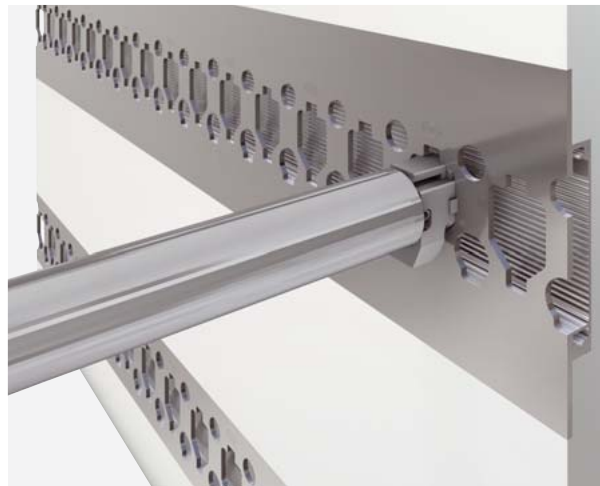


To achieve this, the hole pattern on the recessed lashing rail has the following features:

- 20 and 25 mm round holes
- Slot (13 x 61 mm)
- Multiple-corner window
- Plate between multiple-corner windows

Special end pieces have been developed for the innovative multiple-corner windows to cater to:

- Round shoring poles
- Square locking bars
- Garment rails



The round holes accommodate the round shoring poles while ...



... the slots are used for locking bars and lashing straps